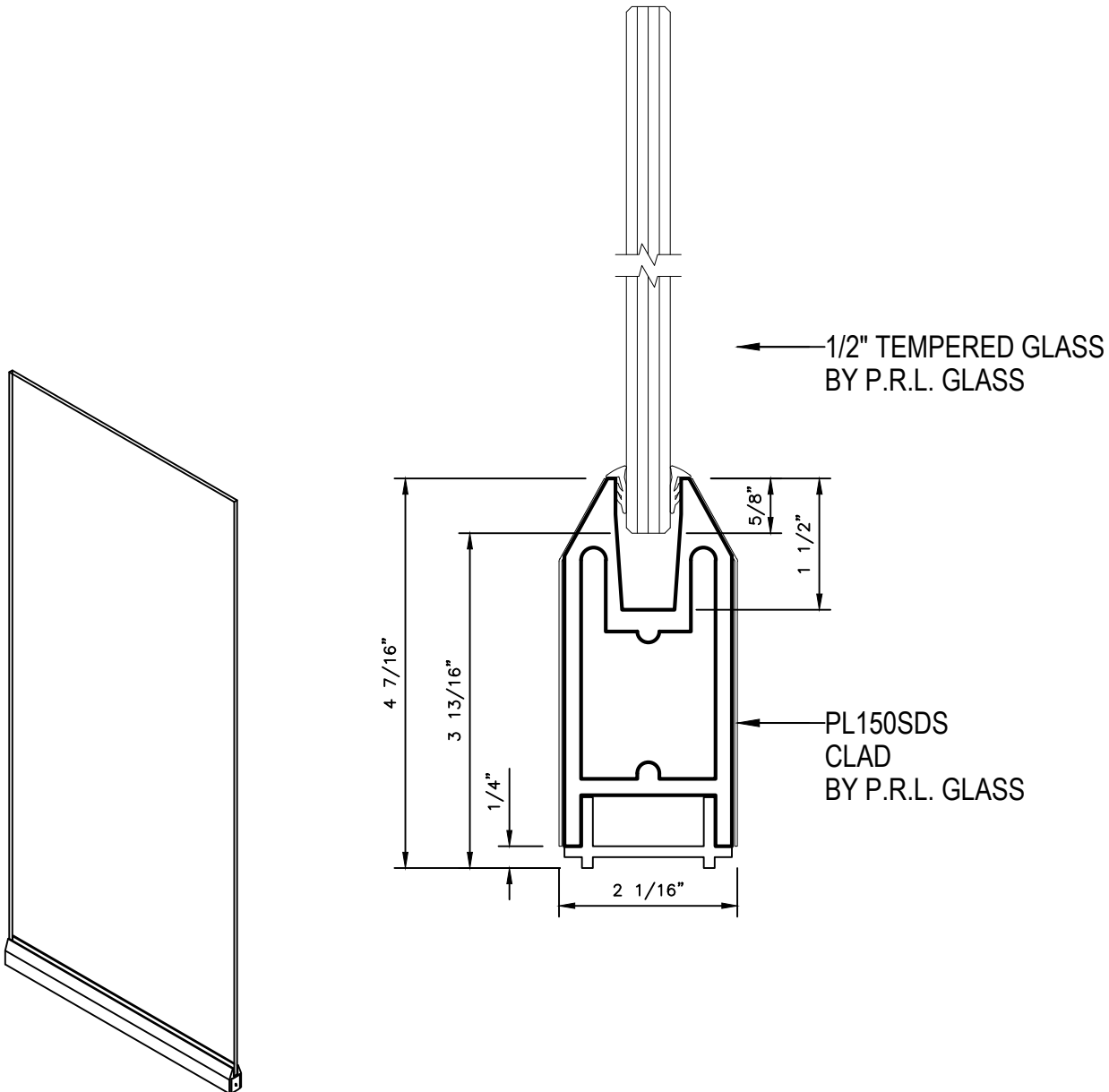
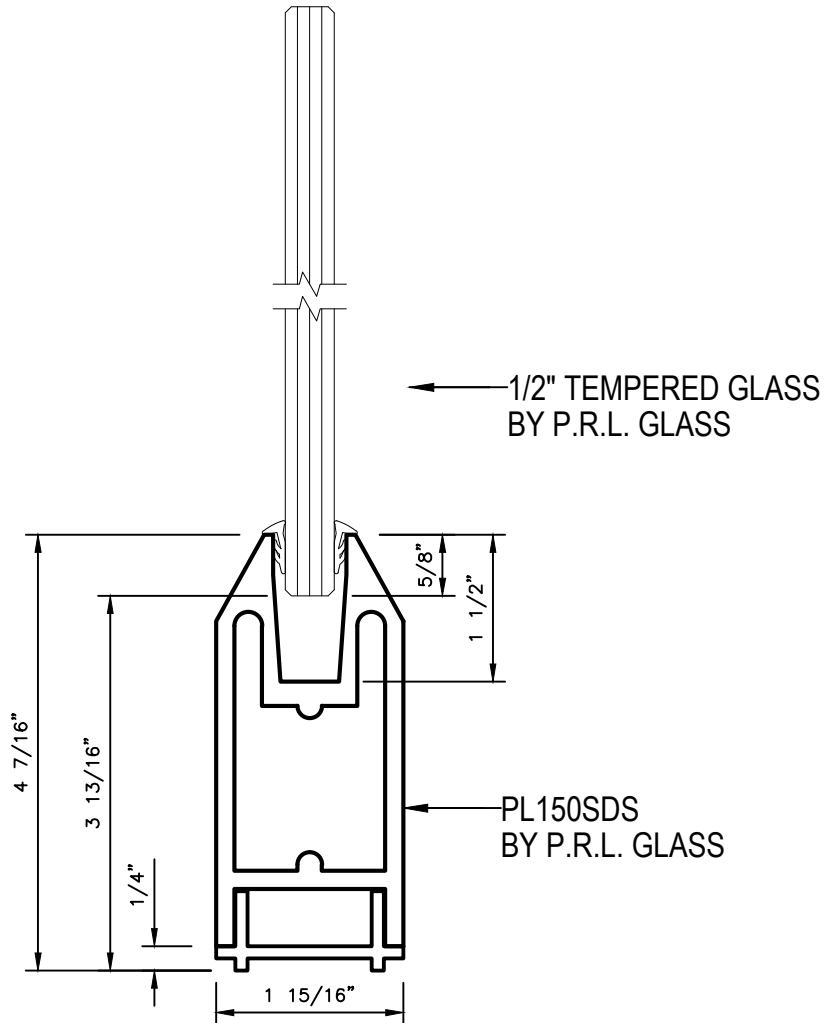
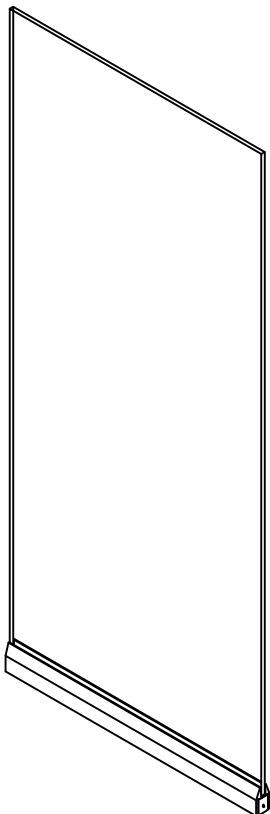


\* FINISHES AVAILABLE :  
# 8 POLISHED & # 4 SATIN  
STAINLESS  
US3 POLISHED & US4 SATIN  
BRASS ( NON LACQUER COATED)  
US10B  
ANODIZED PAINTED



\* FINISHES AVAILABLE :  
# 8 POLISHED & # 4 SATIN  
STAINLESS  
US3 POLISHED & US4 SATIN  
BRASS ( NON LACQUER COATED)  
US10B  
ANODIZED PAINTED



**PRL**

GLASS  
SYSTEMS  
INC.  
Prerglass.com

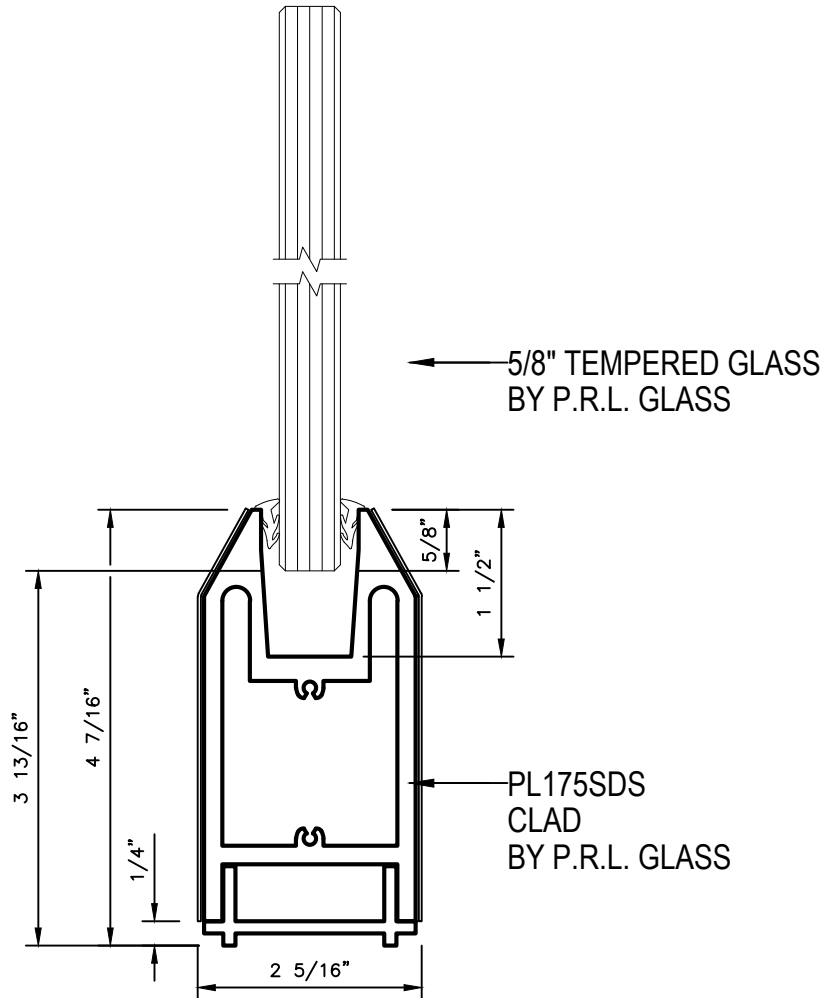
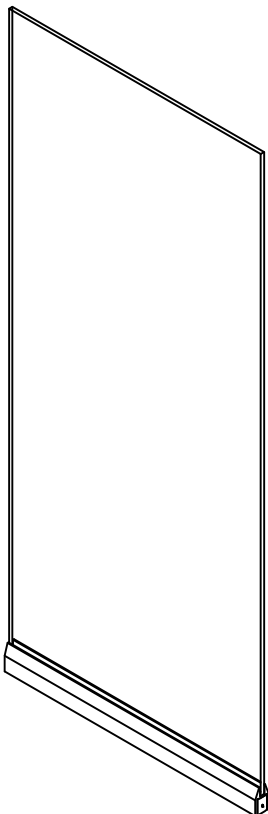


# PL175SDS SIDELITE RAIL

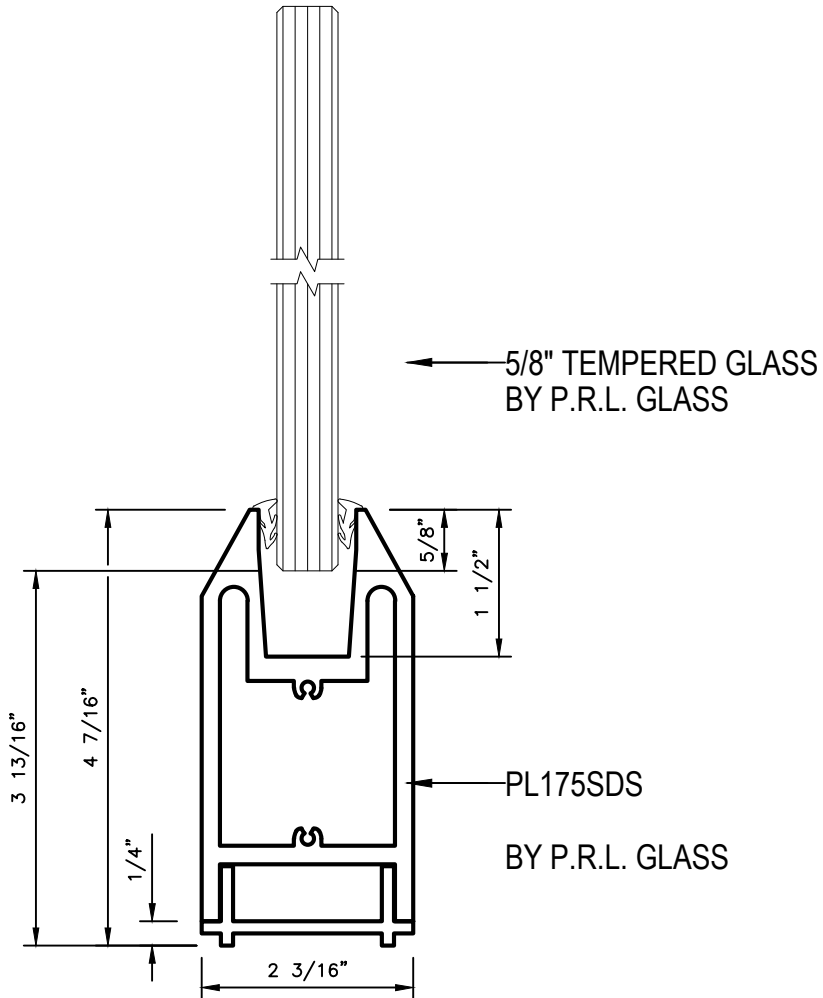
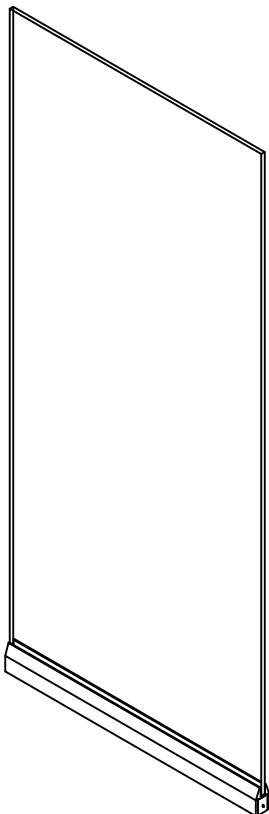
DWG NO.: DRYSETSIDELITERAILS

DATE: 04-19-21

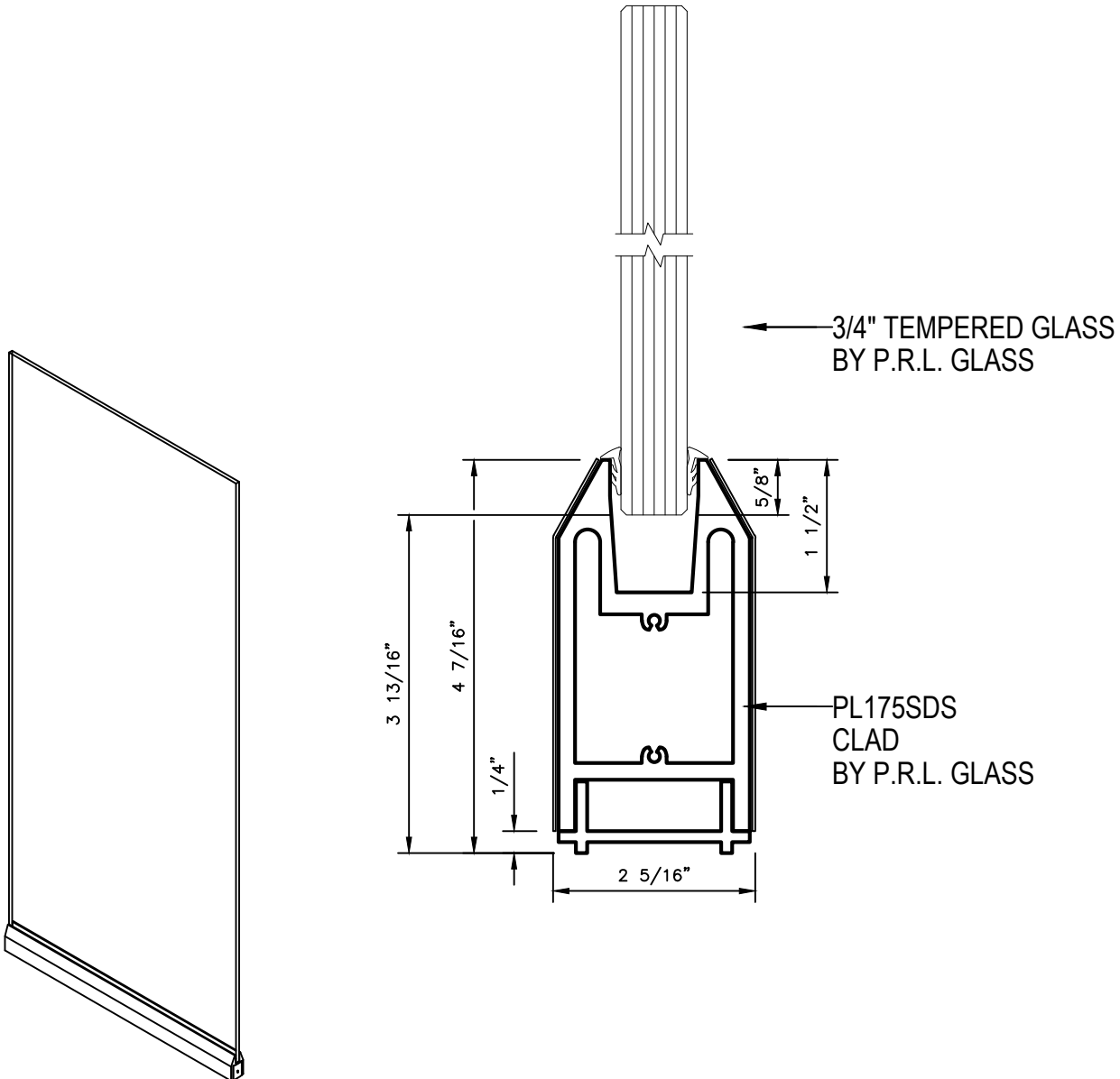
\* FINISHES AVAILABLE :  
# 8 POLISHED & # 4 SATIN  
STAINLESS  
US3 POLISHED & US4 SATIN  
BRASS ( NON LACQUER COATED)  
US10B  
ANODIZED PAINTED



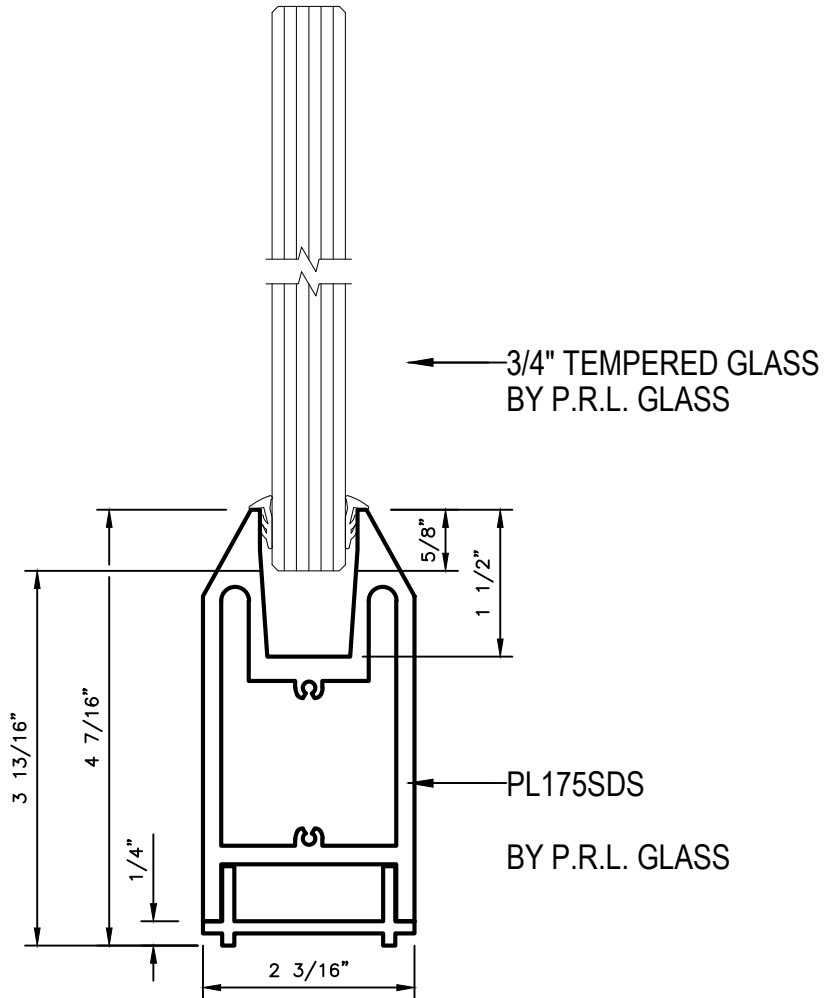
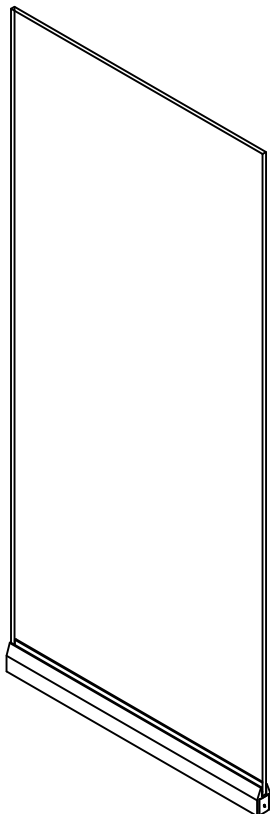
\* FINISHES AVAILABLE :  
# 8 POLISHED & # 4 SATIN  
STAINLESS  
US3 POLISHED & US4 SATIN  
BRASS ( NON LACQUER COATED)  
US10B  
ANODIZED PAINTED



\* FINISHES AVAILABLE :  
# 8 POLISHED & # 4 SATIN  
STAINLESS  
US3 POLISHED & US4 SATIN  
BRASS ( NON LACQUER COATED)  
US10B  
ANODIZED PAINTED



\* FINISHES AVAILABLE :  
# 8 POLISHED & # 4 SATIN  
STAINLESS  
US3 POLISHED & US4 SATIN  
BRASS ( NON LACQUER COATED)  
US10B  
ANODIZED PAINTED



**PRL**

GLASS  
SYSTEMS  
INC.  
Priglass.com

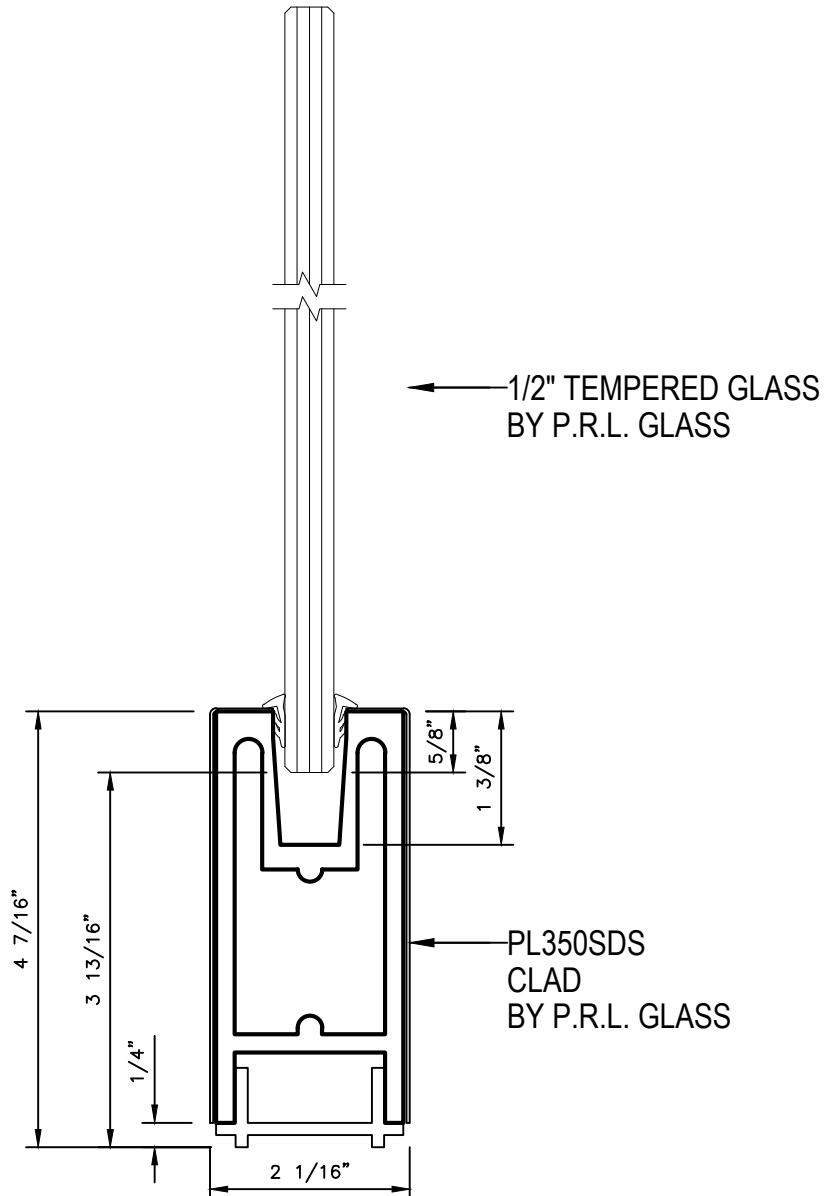
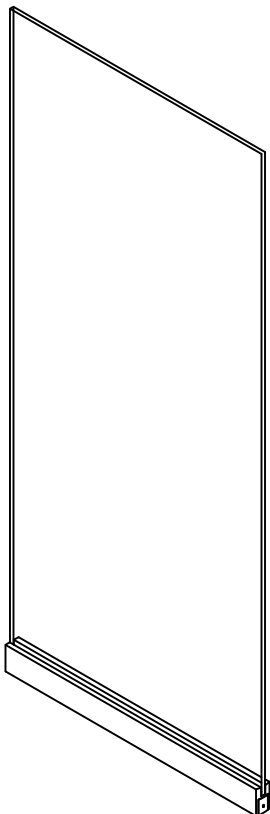


# PL350SDS SIDELITE RAIL

DWG NO.: DRYSETSIDELITERAILS

DATE: 04-19-21

\* FINISHES AVAILABLE :  
# 8 POLISHED & # 4 SATIN  
STAINLESS  
US3 POLISHED & US4 SATIN  
BRASS ( NON LACQUER COATED )  
US10B  
ANODIZED PAINTED



**PRL**

GLASS  
SYSTEMS  
INC.  
Prerglass.com



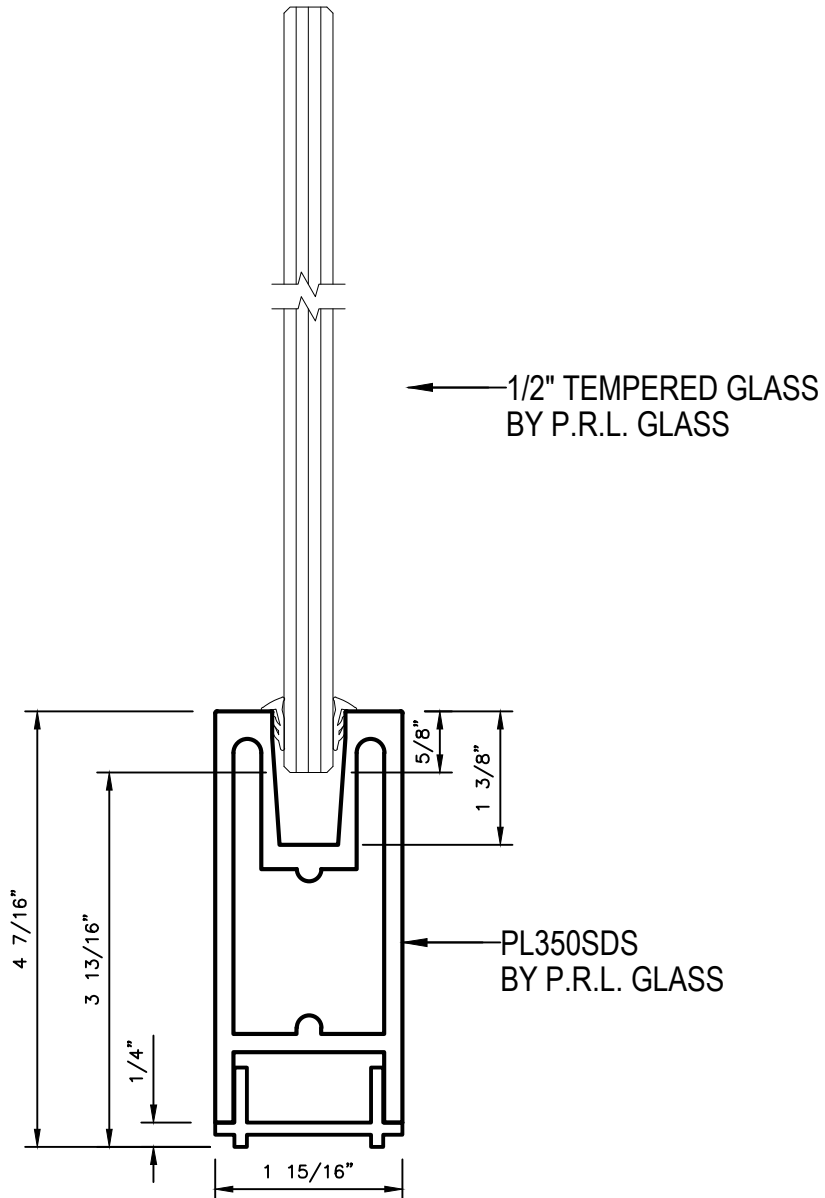
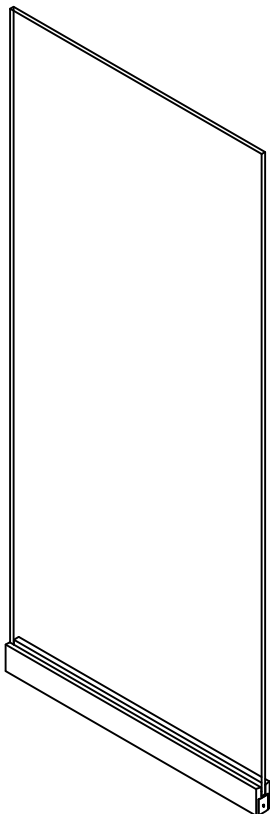
# PL350SDS

SIDELITE RAIL NON CLAD

DWG NO.: DRYSETSIDELITERAILS

DATE: 04-19-21

\* FINISHES AVAILABLE :  
# 8 POLISHED & # 4 SATIN  
STAINLESS  
US3 POLISHED & US4 SATIN  
BRASS ( NON LACQUER COATED )  
US10B  
ANODIZED PAINTED





**PRL**

GLASS  
SYSTEMS  
INC.

Prlglass.com

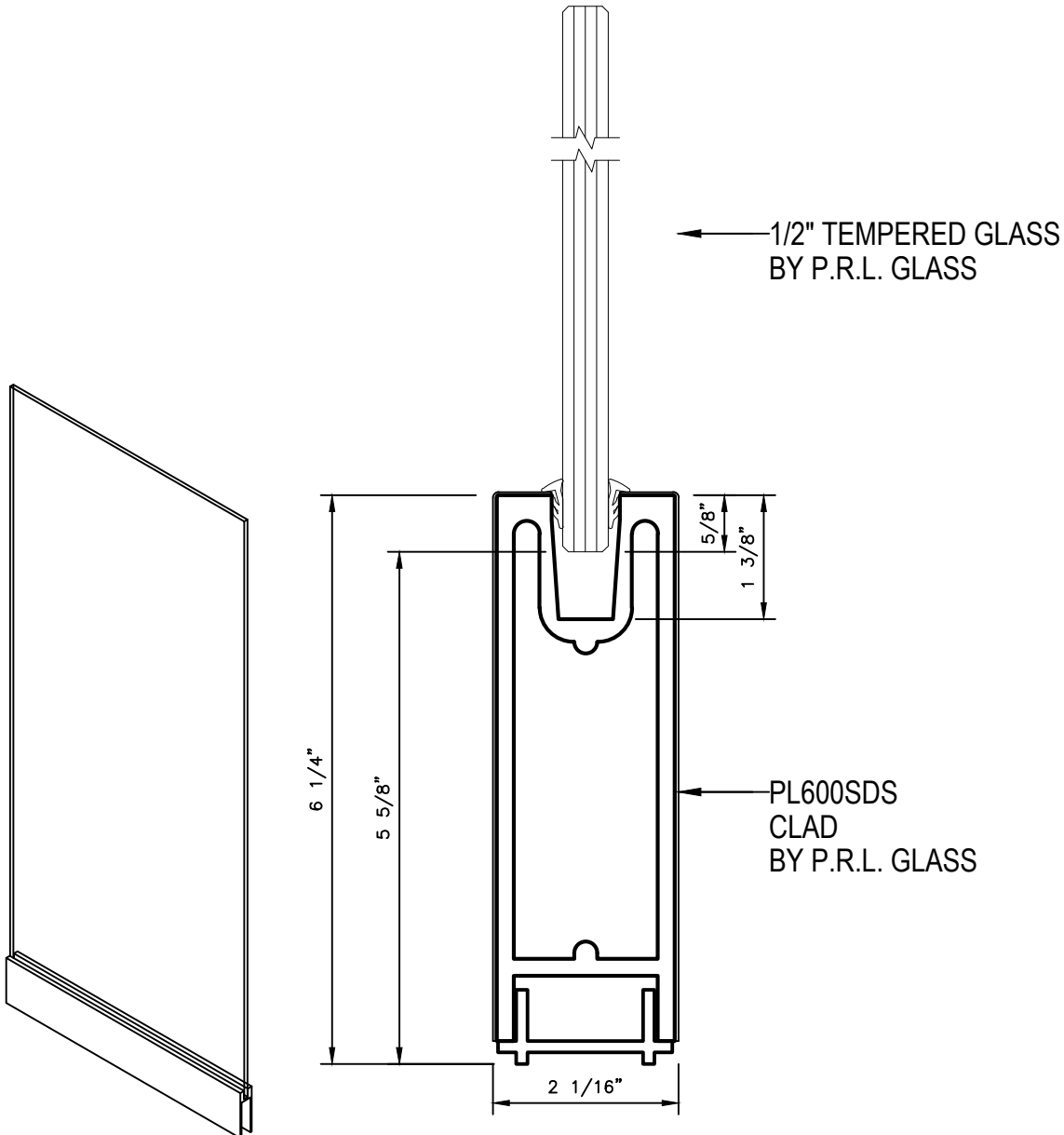


# PL600SDS SIDELITE RAIL

DWG NO.: DRYSETSIDELITERAILS

DATE: 04-19-21

\* FINISHES AVAILABLE :  
# 8 POLISHED & # 4 SATIN  
STAINLESS  
US3 POLISHED & US4 SATIN  
BRASS ( NON LACQUER COATED)  
US10B  
ANODIZED PAINTED



**PRL**

GLASS  
SYSTEMS  
INC.  
Priglass.com

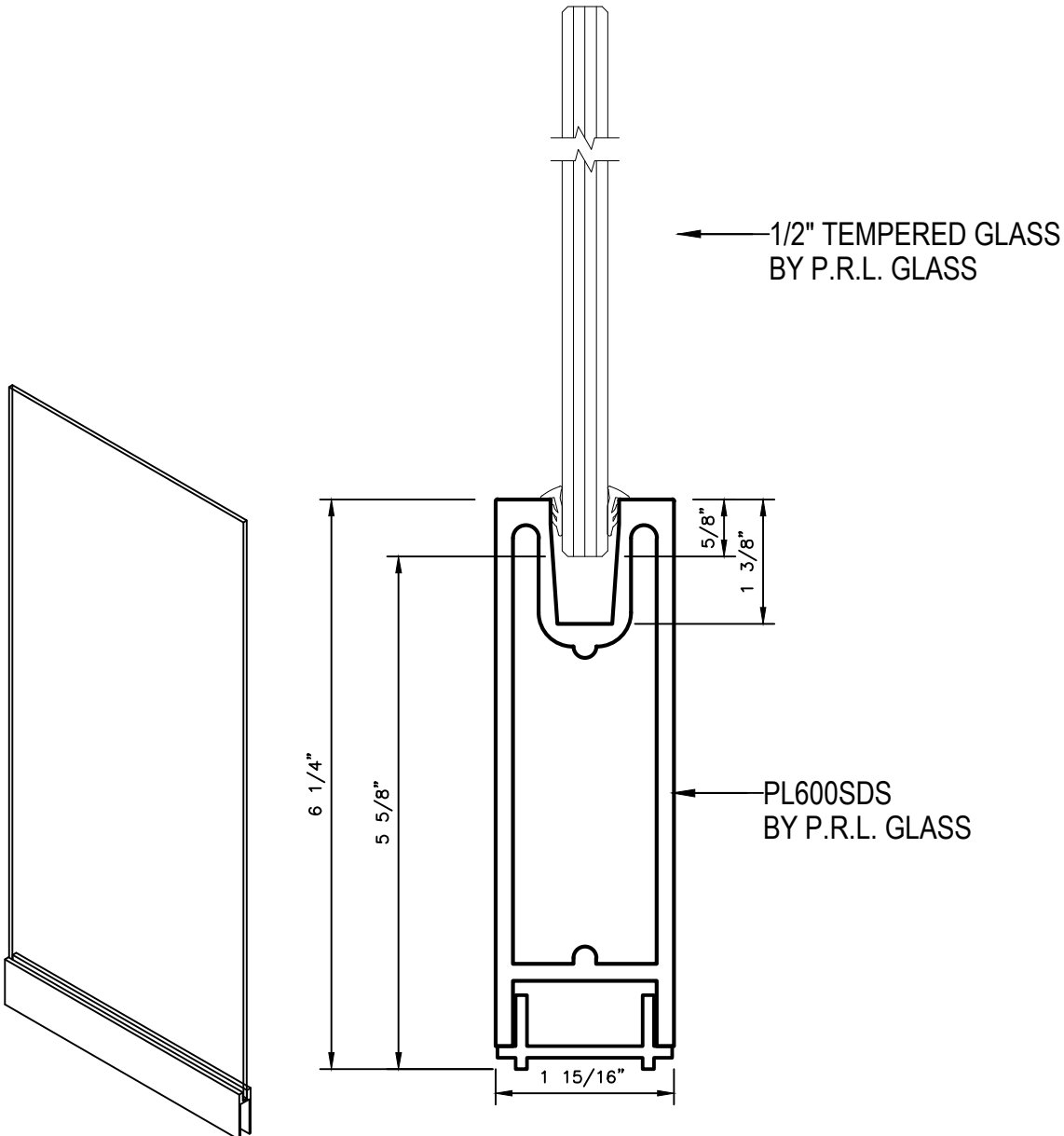


**PL600SDS**  
SIDELITE RAIL NON CLAD

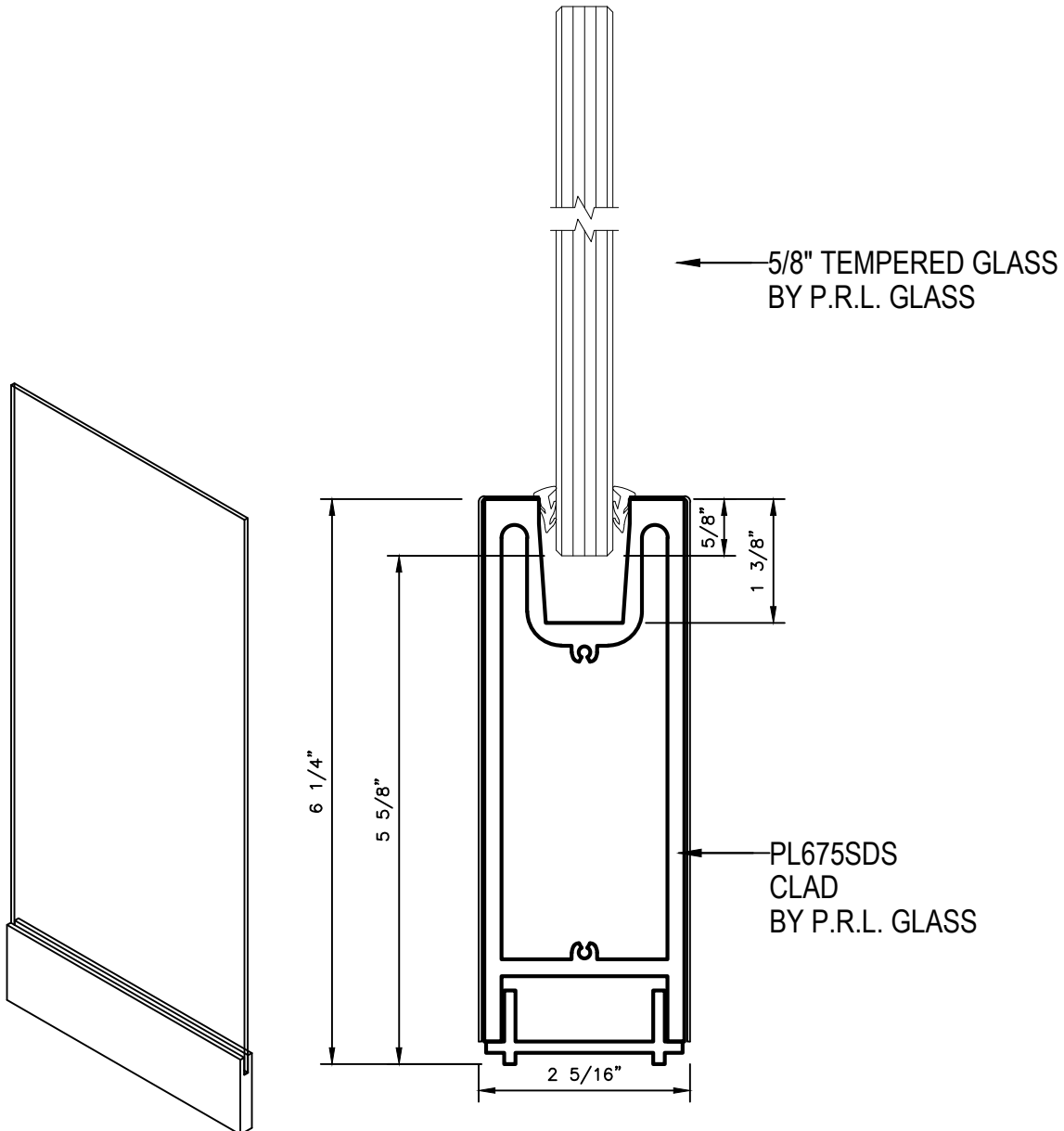
DWG NO.: DRYSETSIDELITERAILS

DATE: 04-19-21

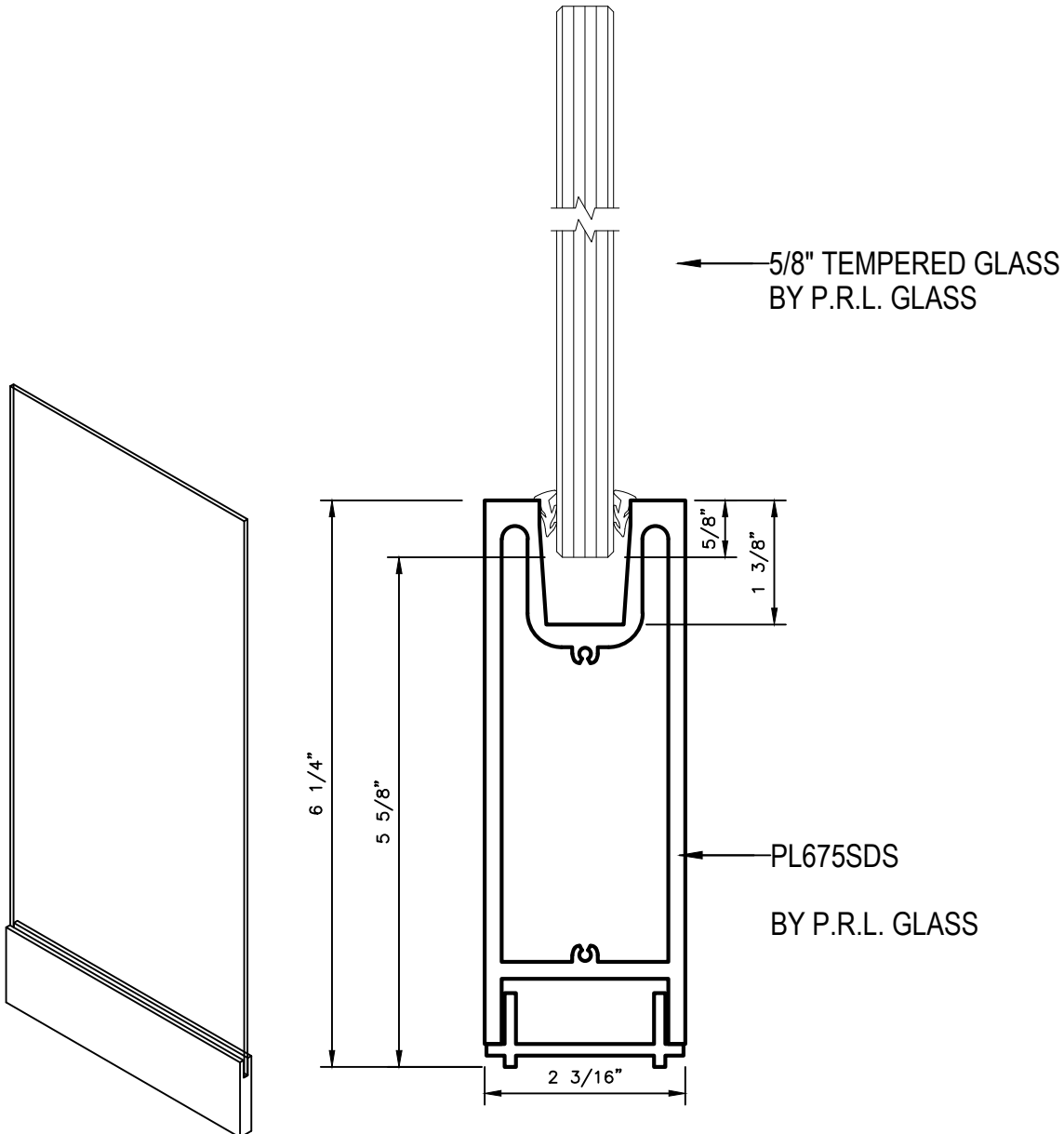
\* FINISHES AVAILABLE :  
# 8 POLISHED & # 4 SATIN  
STAINLESS  
US3 POLISHED & US4 SATIN  
BRASS ( NON LACQUER COATED)  
US10B  
ANODIZED PAINTED



\* FINISHES AVAILABLE :  
# 8 POLISHED & # 4 SATIN  
STAINLESS  
US3 POLISHED & US4 SATIN  
BRASS ( NON LACQUER COATED)  
US10B  
ANODIZED PAINTED



\* FINISHES AVAILABLE :  
# 8 POLISHED & # 4 SATIN  
STAINLESS  
US3 POLISHED & US4 SATIN  
BRASS ( NON LACQUER COATED)  
US10B  
ANODIZED PAINTED



**PRL**

GLASS  
SYSTEMS  
INC.  
Prerglass.com

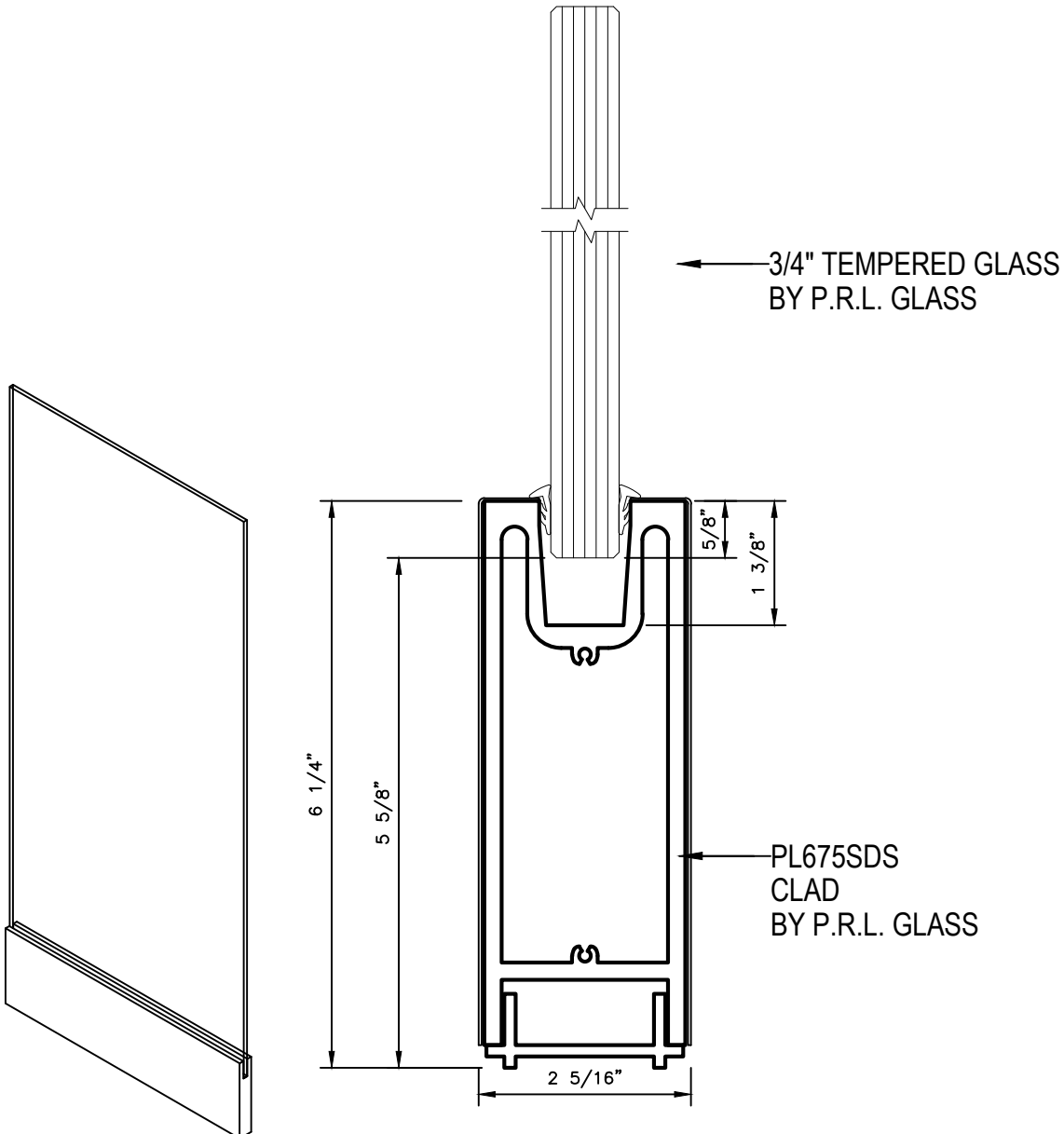


# PL675SDS SIDELITE RAIL

DWG NO.: DRYSETSIDELITERAILS

DATE: 04-19-21

\* FINISHES AVAILABLE :  
# 8 POLISHED & # 4 SATIN  
STAINLESS  
US3 POLISHED & US4 SATIN  
BRASS ( NON LACQUER COATED)  
US10B  
ANODIZED PAINTED



**PRL**

GLASS  
SYSTEMS  
INC.  
Priglass.com



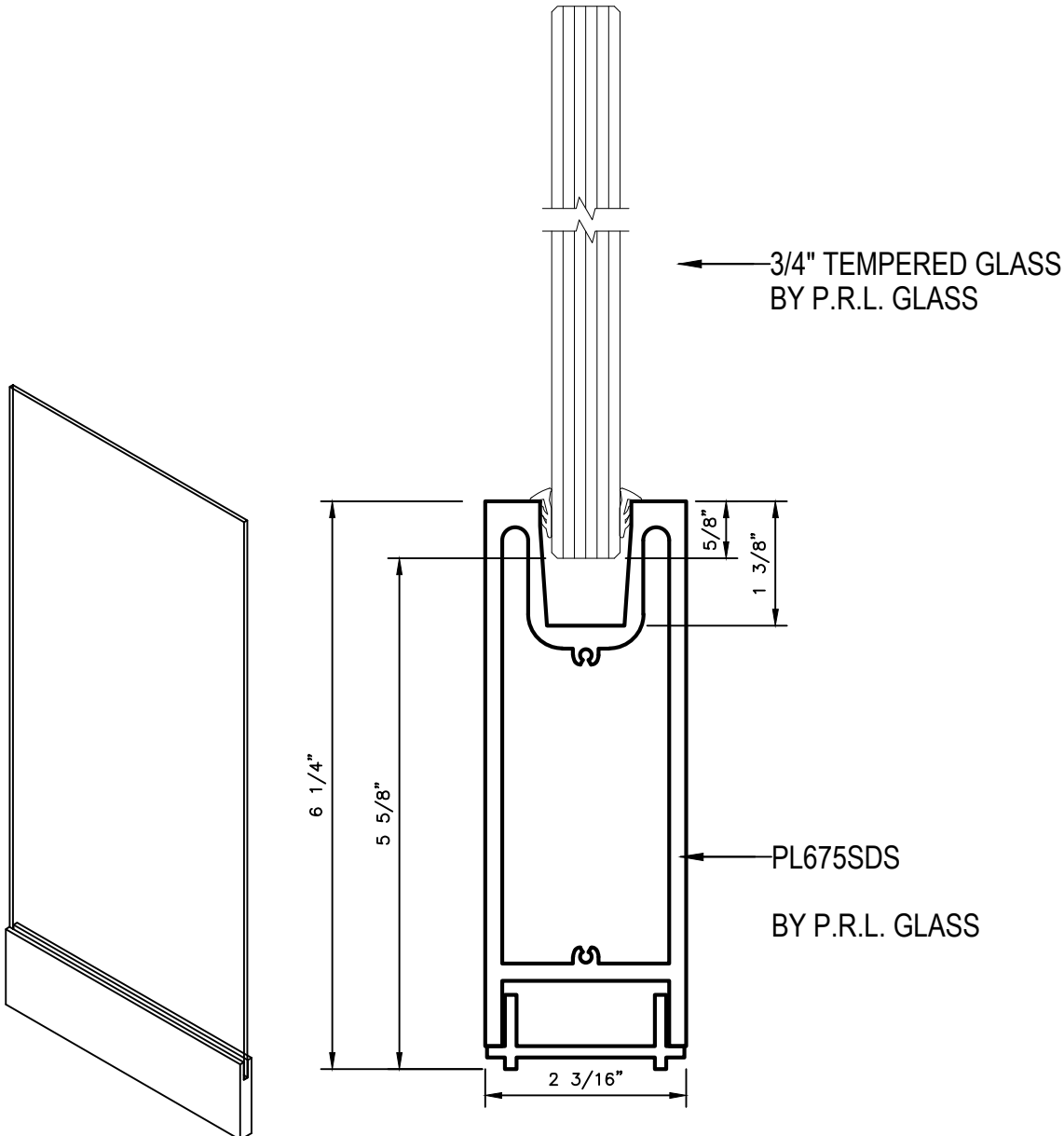
# PL675SDS

SIDELITE RAIL NON CLAD

DWG NO.: DRYSETSIDELITERAILS

DATE: 04-19-21

\* FINISHES AVAILABLE :  
# 8 POLISHED & # 4 SATIN  
STAINLESS  
US3 POLISHED & US4 SATIN  
BRASS ( NON LACQUER COATED)  
US10B  
ANODIZED PAINTED



**PRL**

GLASS  
SYSTEMS  
INC.  
Priglass.com

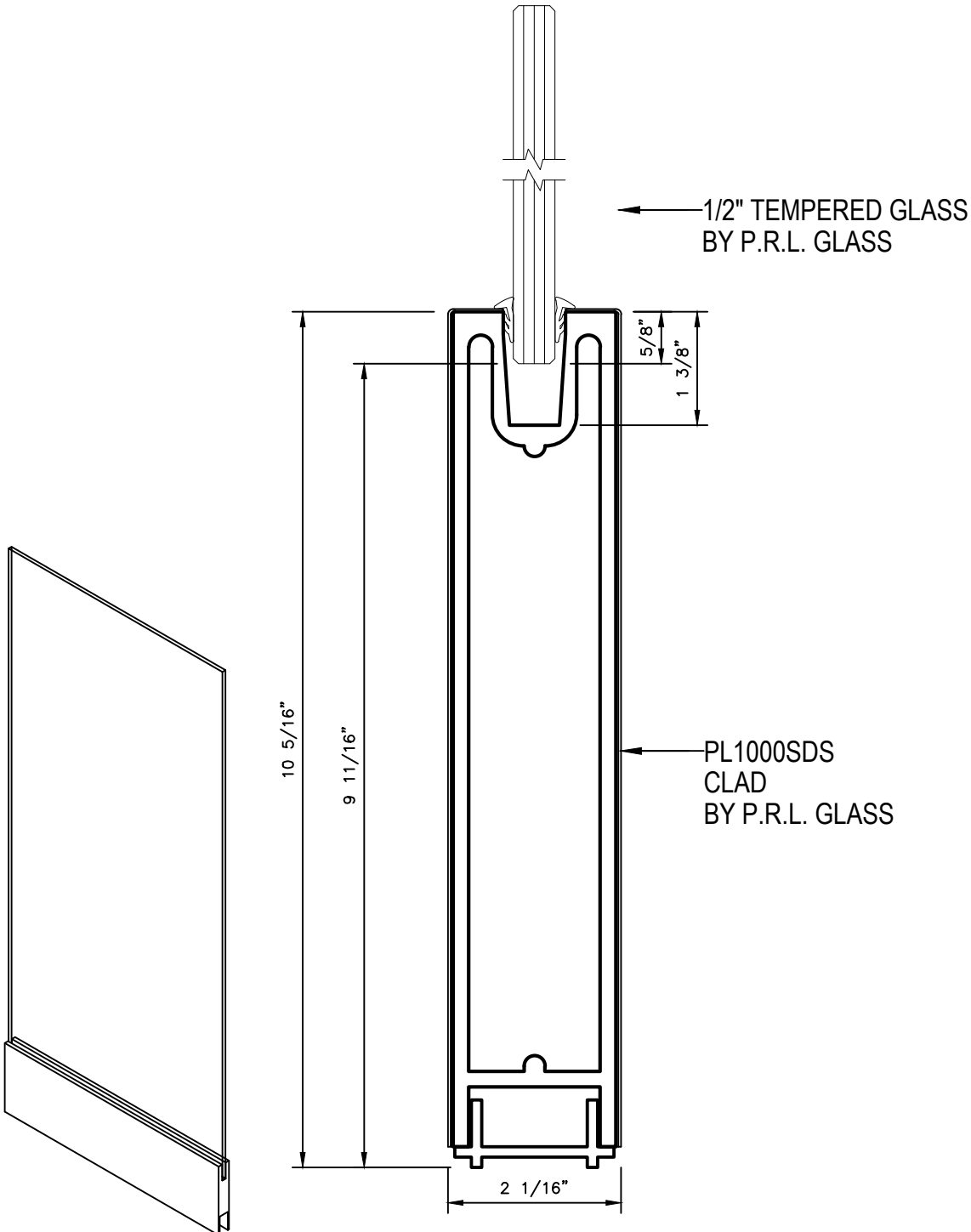


# PL1000SDS SIDELITE RAIL

DWG NO.: DRYSETSIDELITERAILS

DATE: 04-19-21

\* FINISHES AVAILABLE :  
# 8 POLISHED & # 4 SATIN  
STAINLESS  
US3 POLISHED & US4 SATIN  
BRASS ( NON LACQUER COATED)  
US10B  
ANODIZED PAINTED



**PRL**

GLASS  
SYSTEMS  
INC.  
Priglass.com



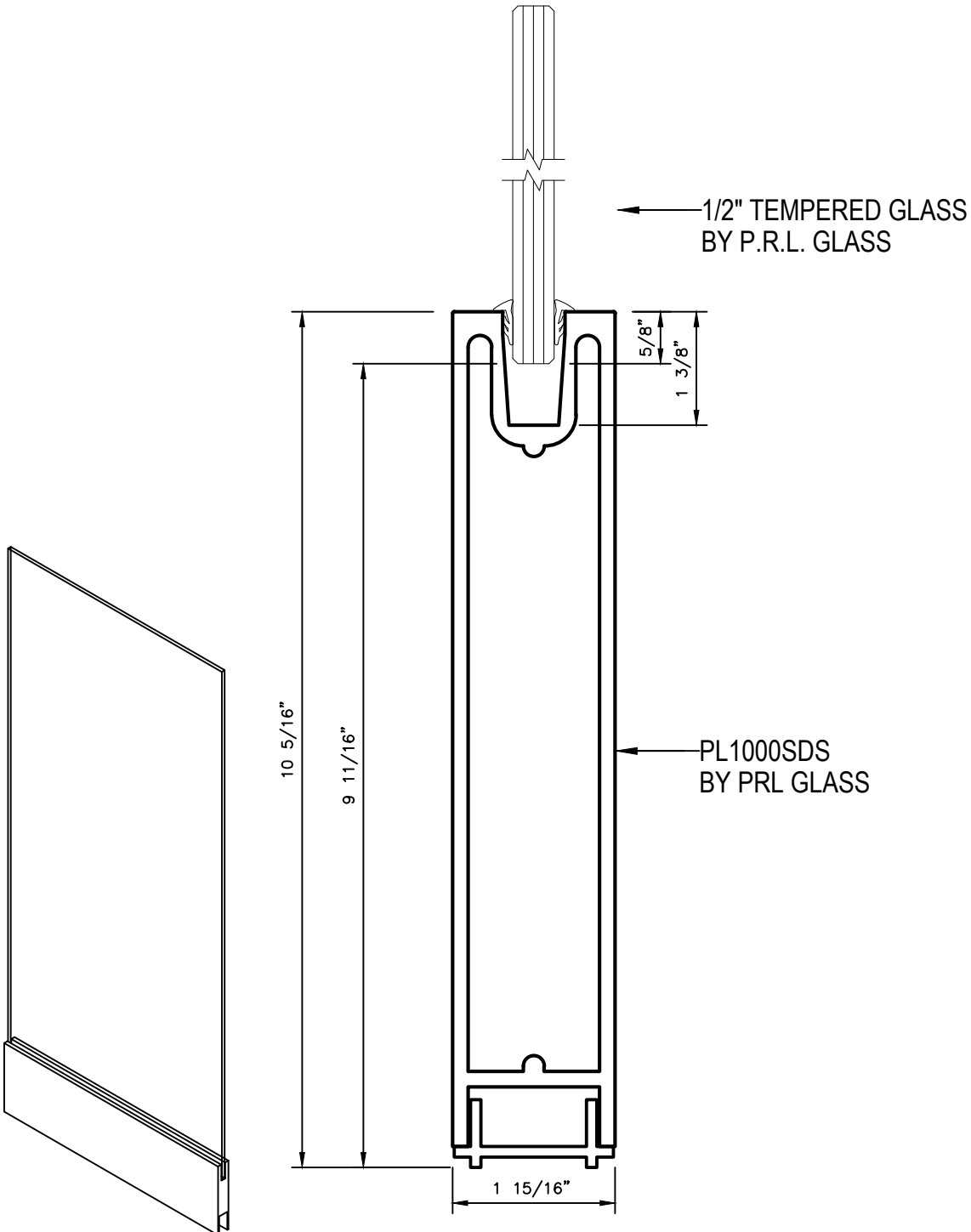
# PL1000SDS

SIDELITE RAIL NON CLAD

DWG NO.: DRYSETSIDELITERAILS

DATE: 04-19-21

\* FINISHES AVAILABLE :  
# 8 POLISHED & # 4 SATIN  
STAINLESS  
US3 POLISHED & US4 SATIN  
BRASS ( NON LACQUER COATED )  
US10B  
ANODIZED PAINTED





**PRL**

GLASS  
SYSTEMS  
INC.  
Prerglass.com

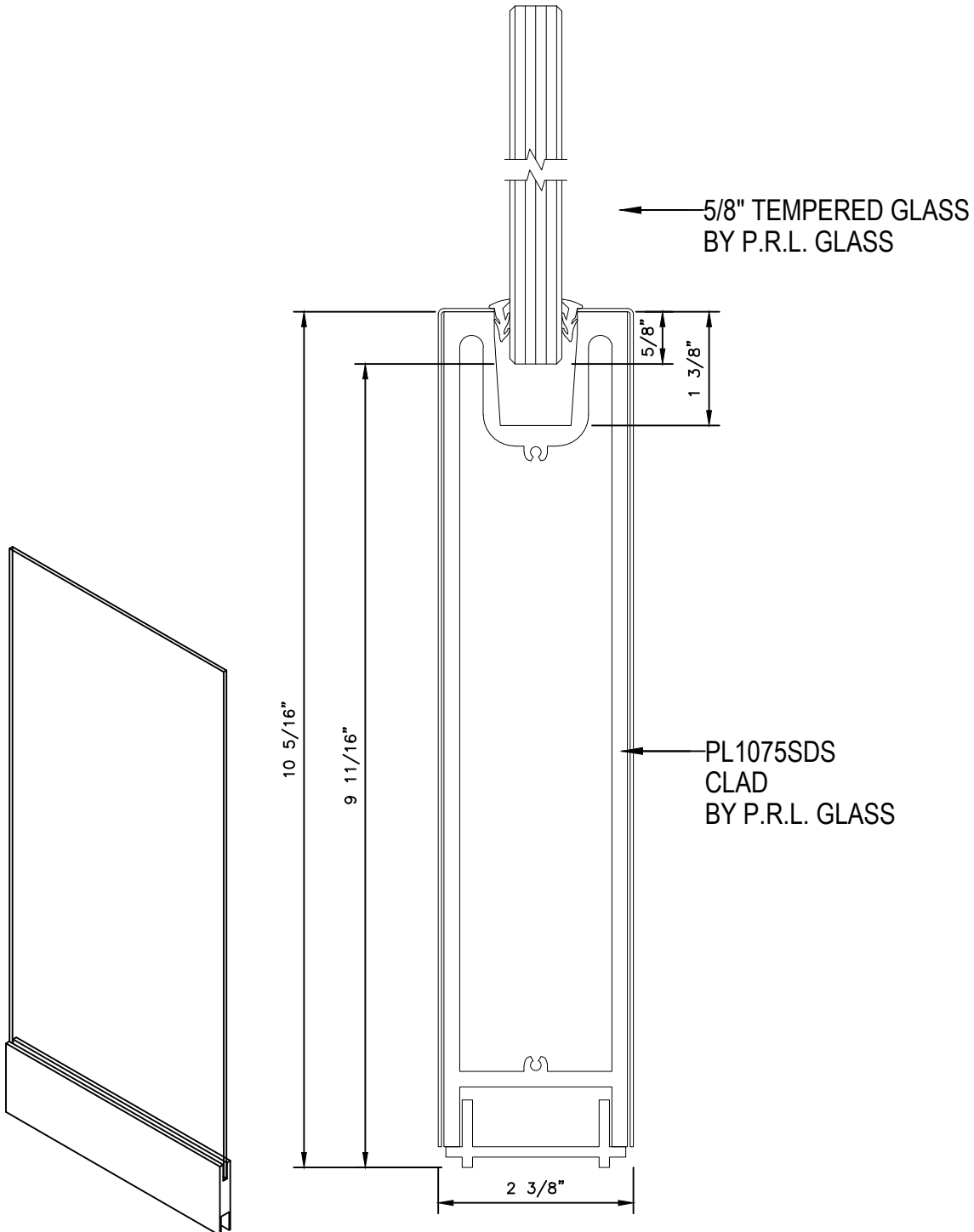


# PL1075SDS SIDELITE RAIL

DWG NO.: DRYSETSIDELITERAILS

DATE: 04-19-21

\* FINISHES AVAILABLE :  
# 8 POLISHED & # 4 SATIN  
STAINLESS  
US3 POLISHED & US4 SATIN  
BRASS ( NON LACQUER COATED)  
US10B  
ANODIZED PAINTED



**PRL**

GLASS  
SYSTEMS  
INC.  
Priglass.com



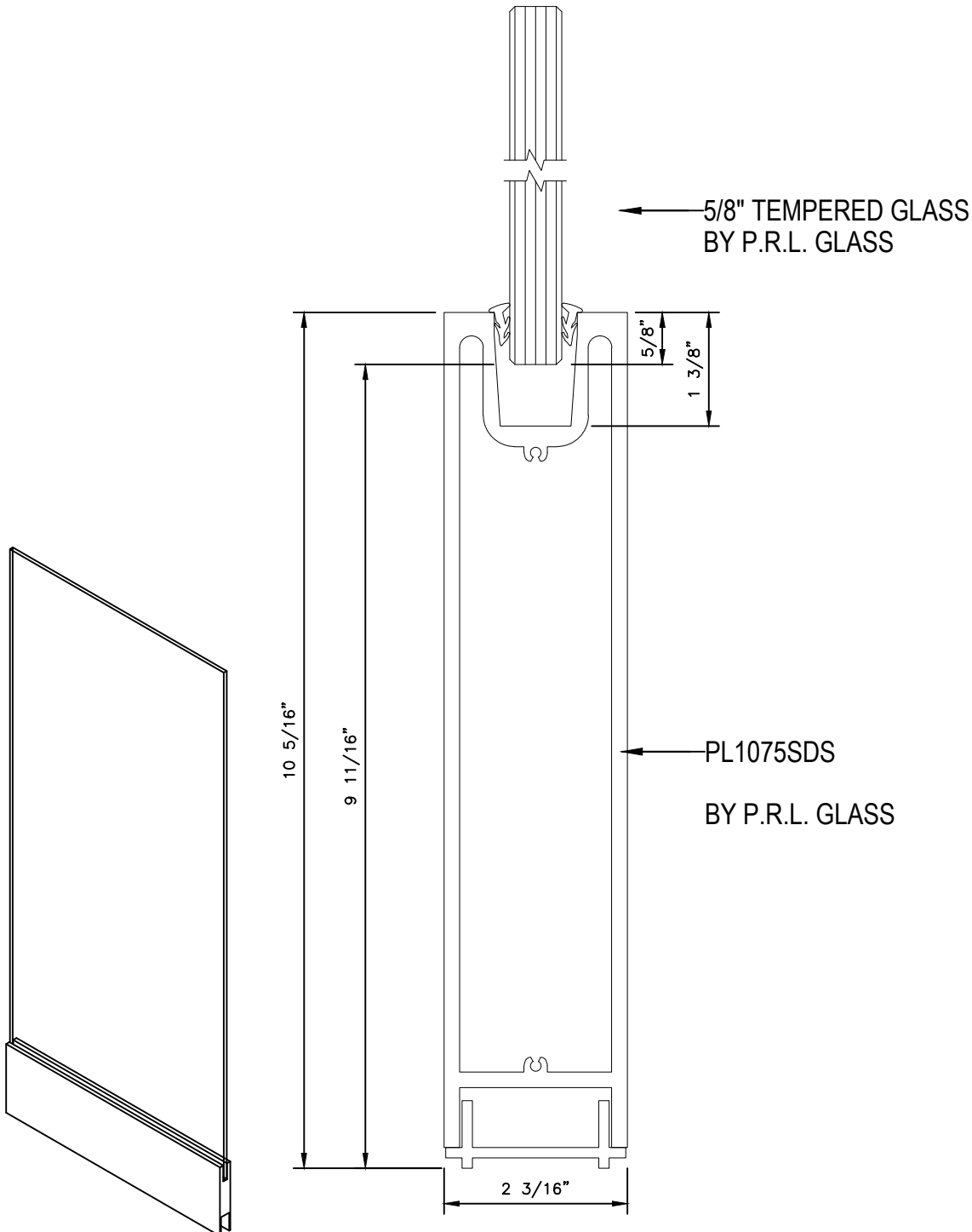
# PL1075SDS

## SIDELITE RAIL NON CLAD

DWG NO.: DRYSETSIDELITERAILS

DATE: 04-19-21

\* FINISHES AVAILABLE :  
# 8 POLISHED & # 4 SATIN  
STAINLESS  
US3 POLISHED & US4 SATIN  
BRASS ( NON LACQUER COATED)  
US10B  
ANODIZED PAINTED



**PRL**

GLASS  
SYSTEMS  
INC.  
Priglass.com

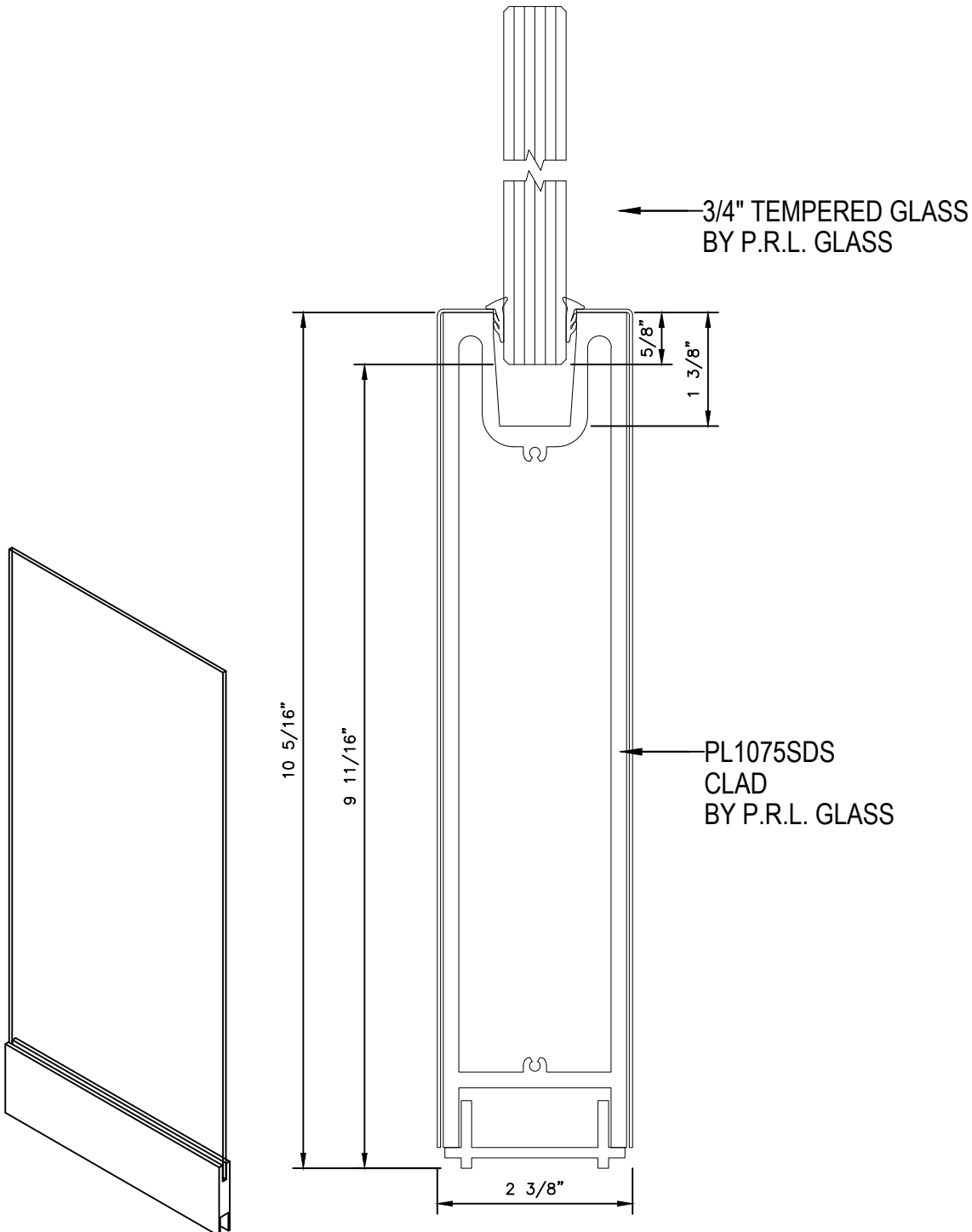


# PL1075SDS SIDELITE RAIL

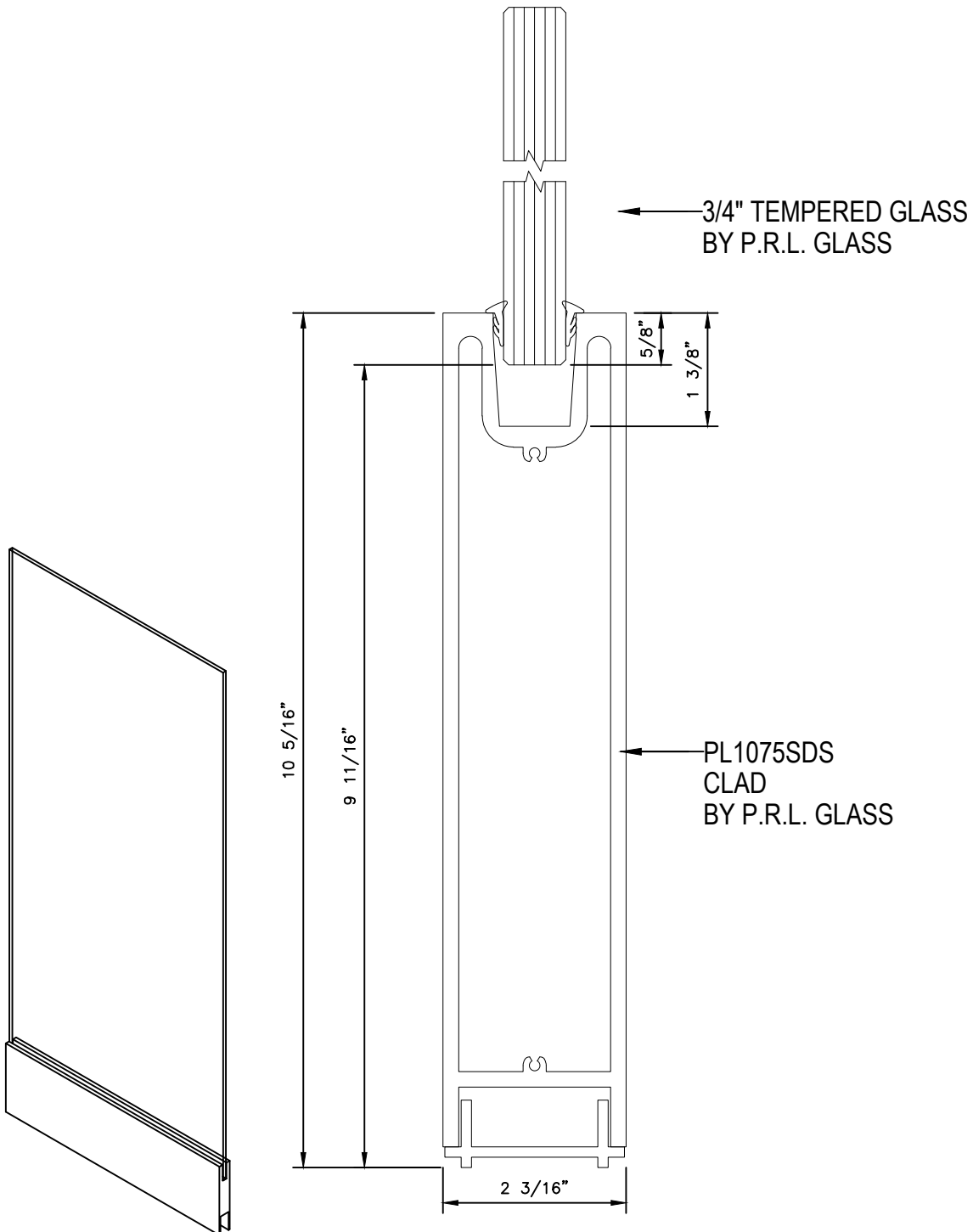
DWG NO.: DRYSETSIDELITERAILS

DATE: 04-19-21

\* FINISHES AVAILABLE :  
# 8 POLISHED & # 4 SATIN  
STAINLESS  
US3 POLISHED & US4 SATIN  
BRASS ( NON LACQUER COATED)  
US10B  
ANODIZED PAINTED

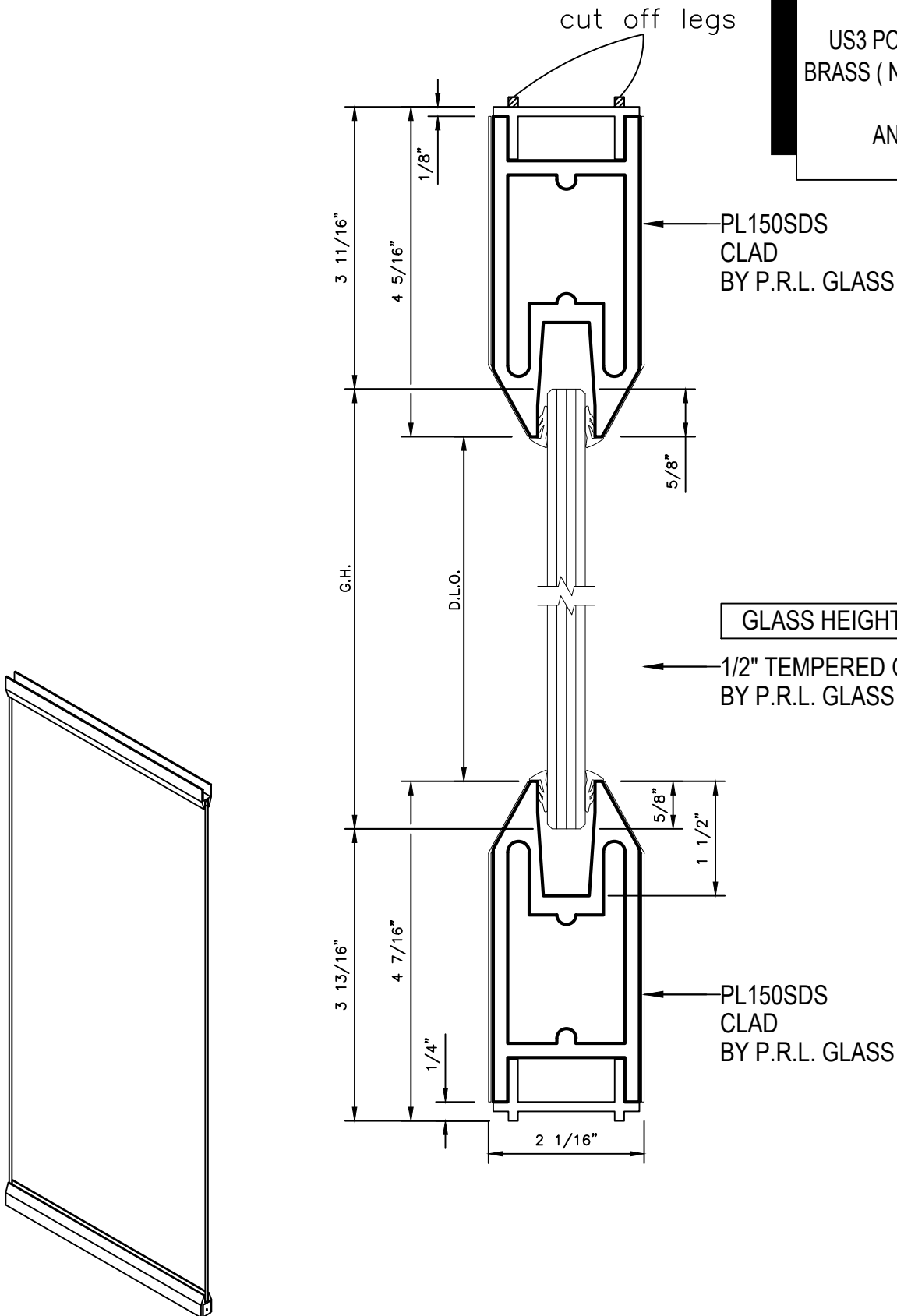


\* FINISHES AVAILABLE :  
# 8 POLISHED & # 4 SATIN  
STAINLESS  
US3 POLISHED & US4 SATIN  
BRASS ( NON LACQUER COATED)  
US10B  
ANODIZED PAINTED



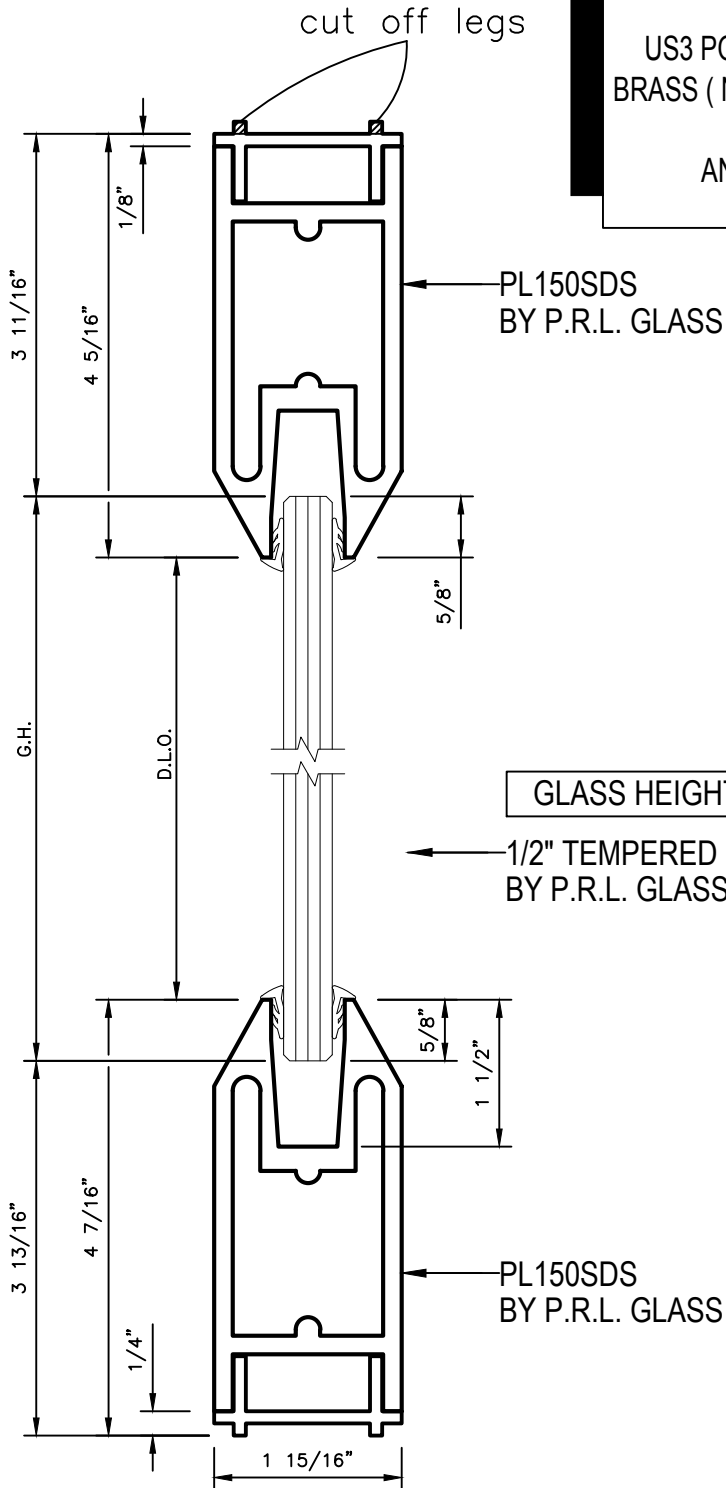
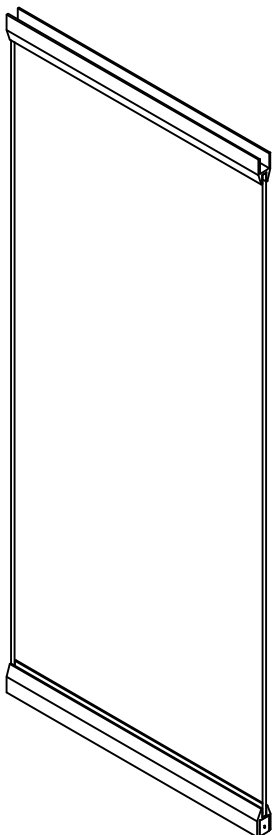


\* FINISHES AVAILABLE :  
# 8 POLISHED & # 4 SATIN  
STAINLESS  
US3 POLISHED & US4 SATIN  
BRASS ( NON LACQUER COATED )  
US10B  
ANODIZED PAINTED

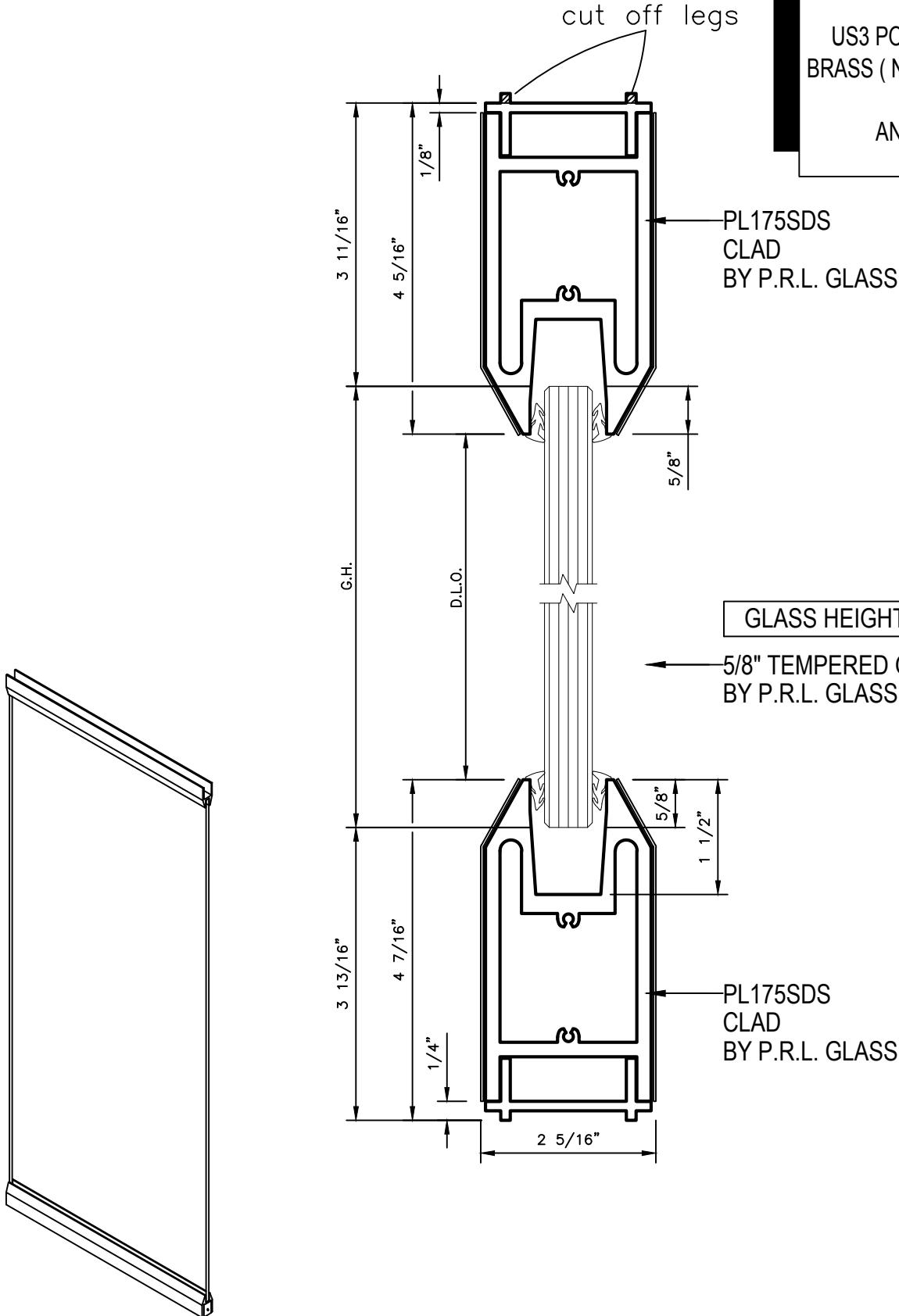




\* FINISHES AVAILABLE :  
# 8 POLISHED & # 4 SATIN  
STAINLESS  
US3 POLISHED & US4 SATIN  
BRASS ( NON LACQUER COATED )  
US10B  
ANODIZED PAINTED

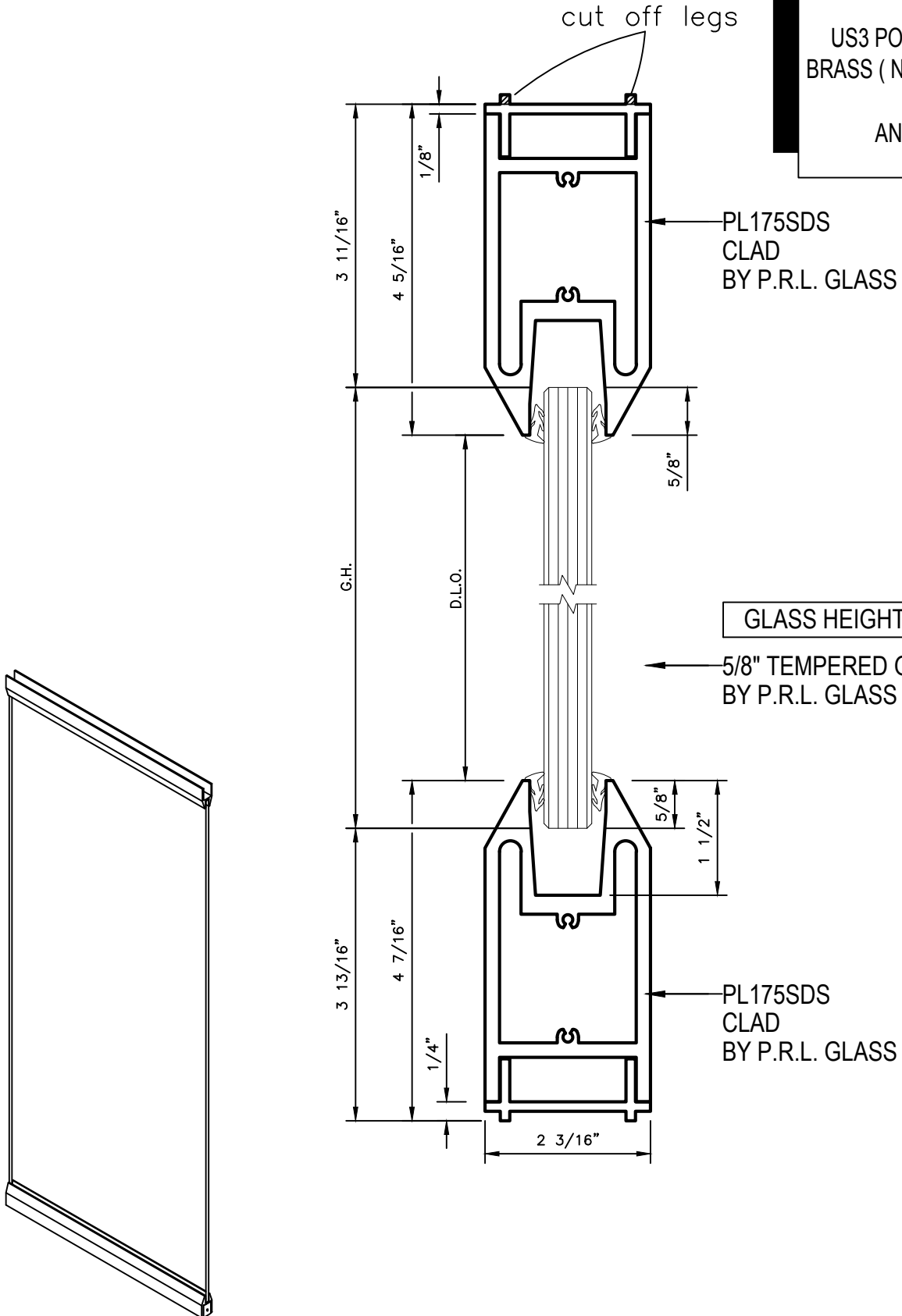


\* FINISHES AVAILABLE :  
 # 8 POLISHED & # 4 SATIN  
 STAINLESS  
 US3 POLISHED & US4 SATIN  
 BRASS ( NON LACQUER COATED )  
 US10B  
 ANODIZED PAINTED





\* FINISHES AVAILABLE :  
# 8 POLISHED & # 4 SATIN  
STAINLESS  
US3 POLISHED & US4 SATIN  
BRASS ( NON LACQUER COATED )  
US10B  
ANODIZED PAINTED

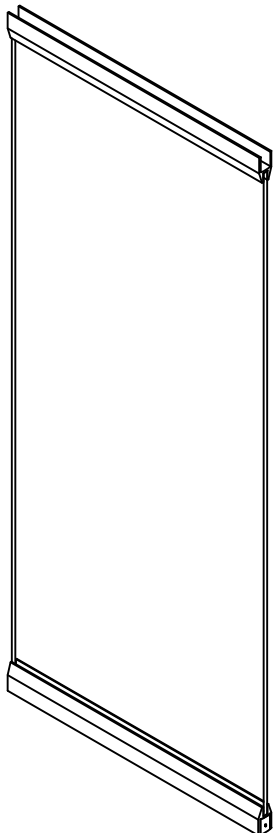


GLASS HEIGHT = D.L.O + 1-1/4"

5/8" TEMPERED GLASS  
BY P.R.L. GLASS

PL175SDS  
CLAD  
BY P.R.L. GLASS

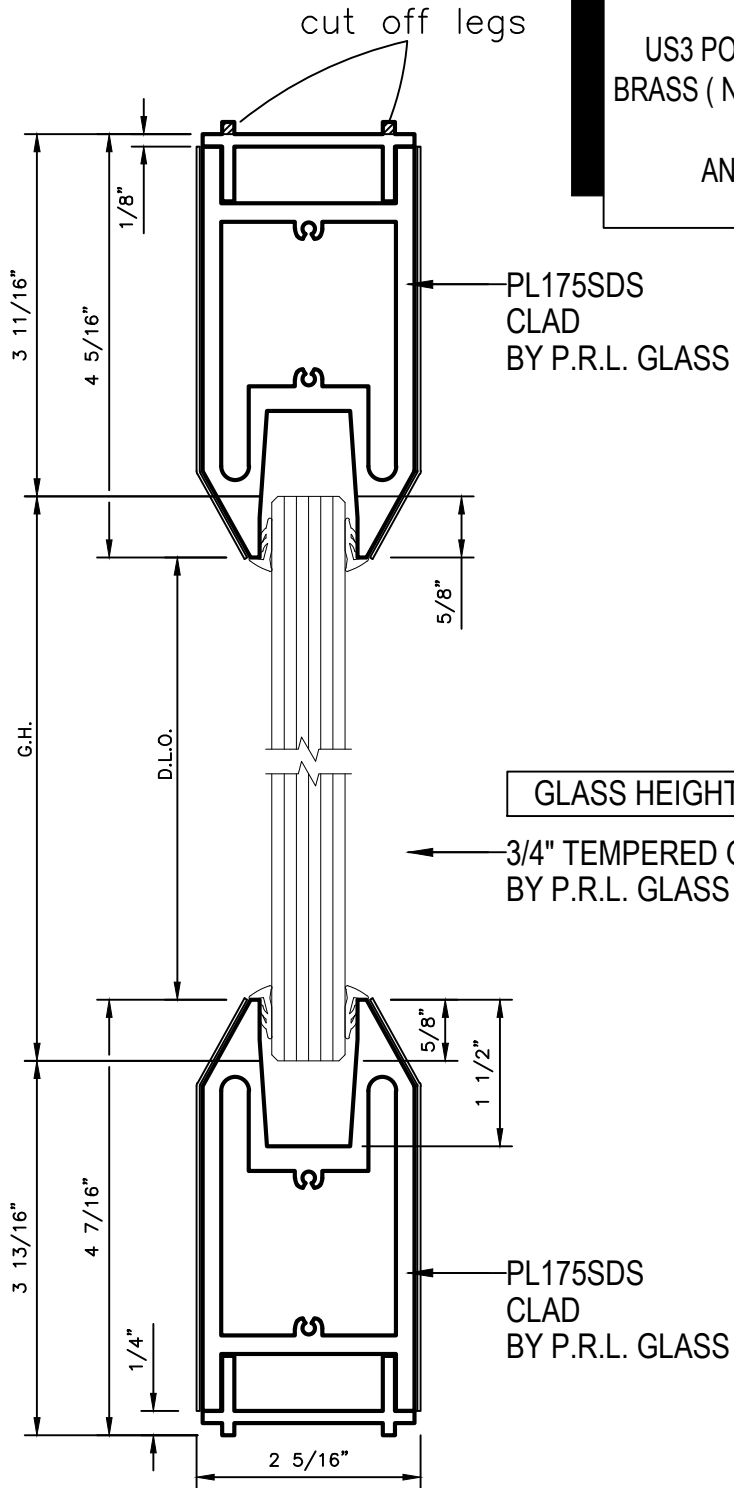
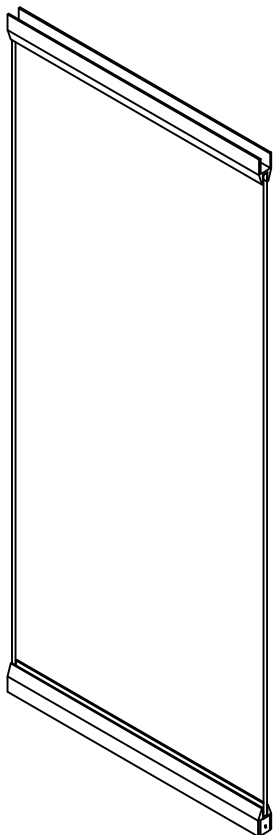
PL175SDS  
CLAD  
BY P.R.L. GLASS





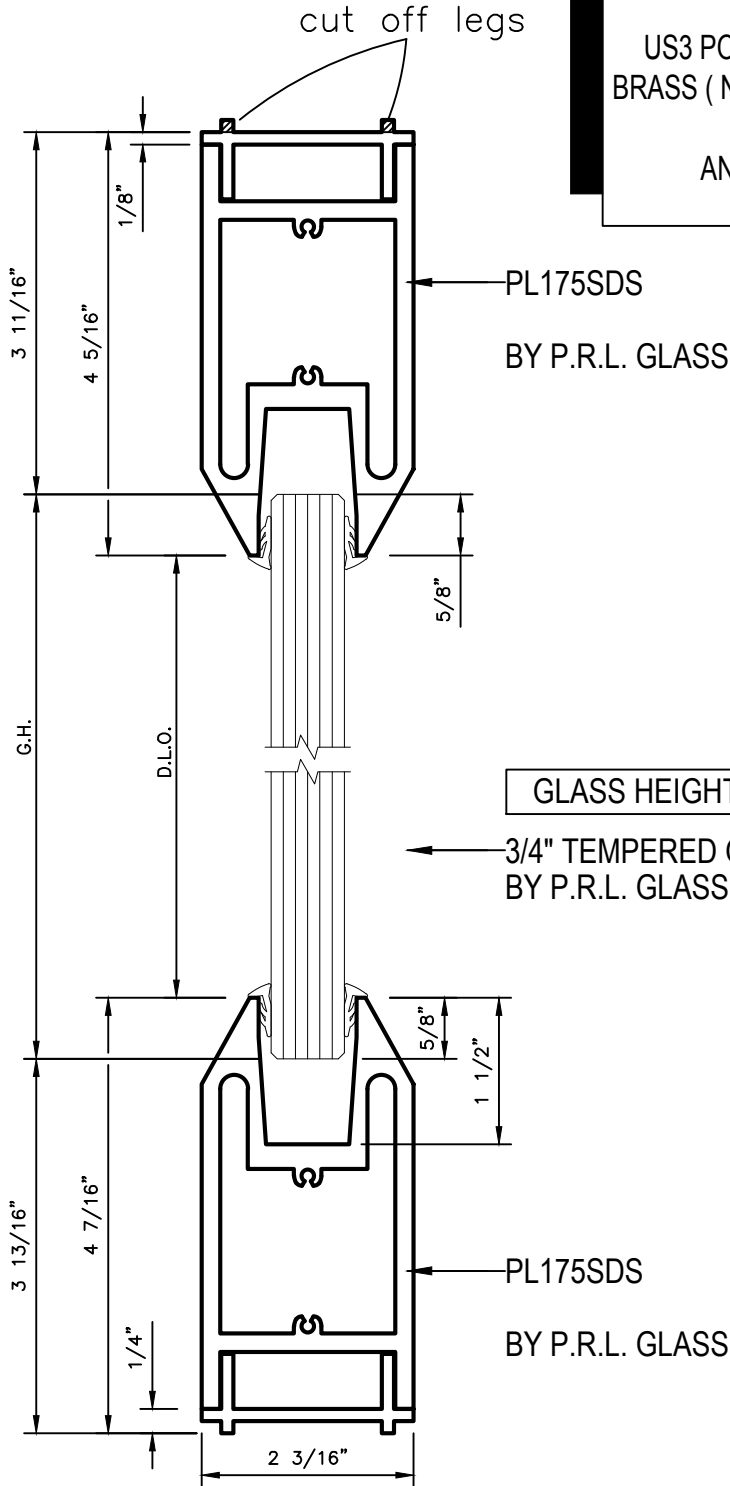
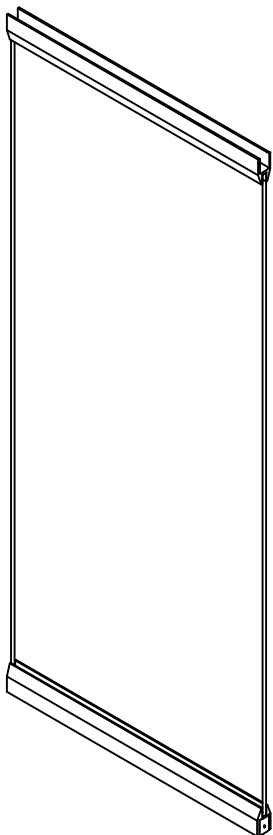


\* FINISHES AVAILABLE :  
# 8 POLISHED & # 4 SATIN  
STAINLESS  
US3 POLISHED & US4 SATIN  
BRASS ( NON LACQUER COATED)  
US10B  
ANODIZED PAINTED





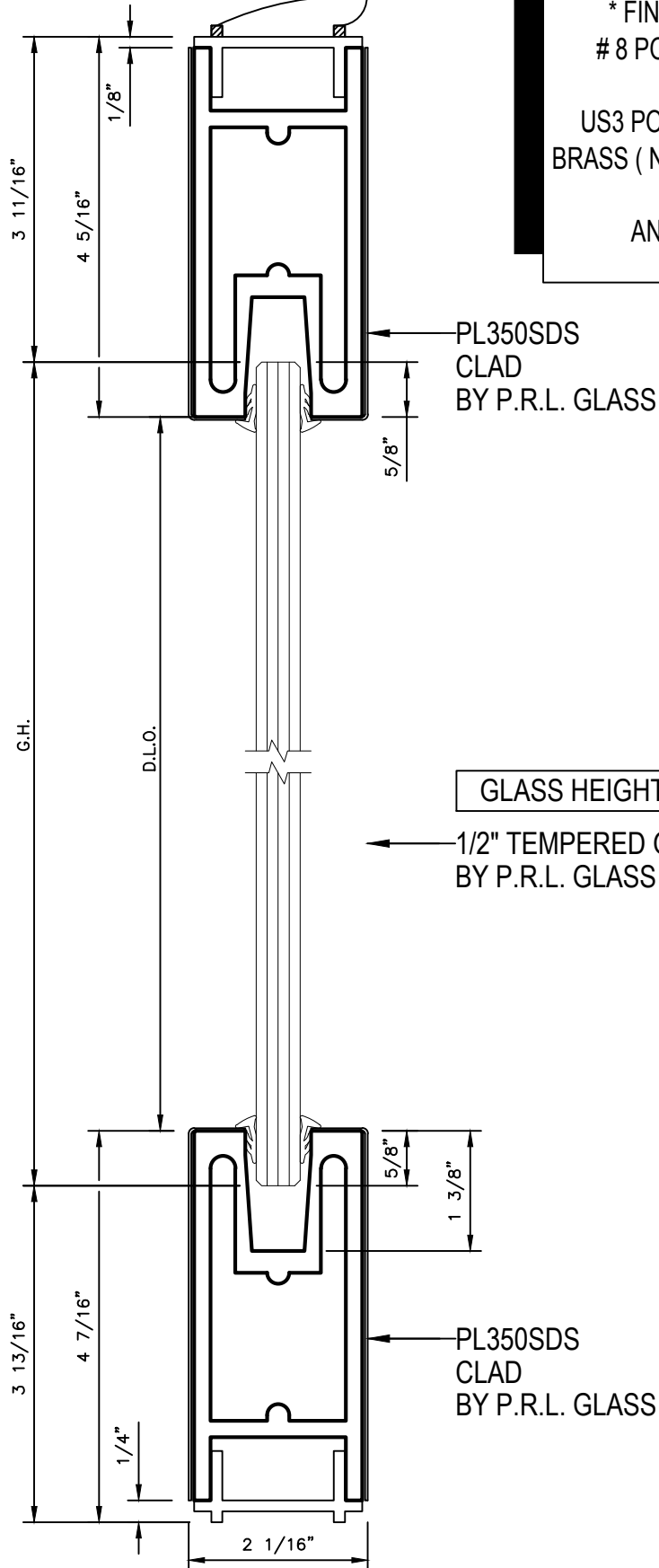
\* FINISHES AVAILABLE :  
# 8 POLISHED & # 4 SATIN  
STAINLESS  
US3 POLISHED & US4 SATIN  
BRASS ( NON LACQUER COATED )  
US10B  
ANODIZED PAINTED



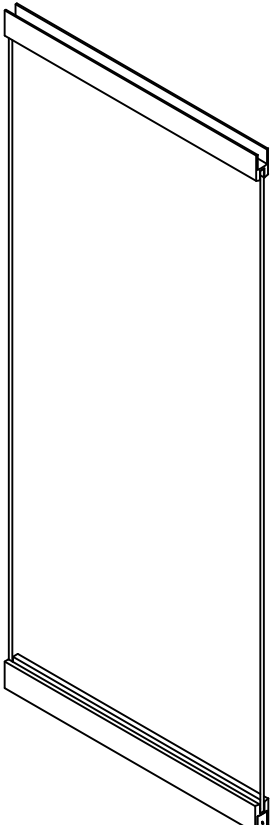


cut off legs

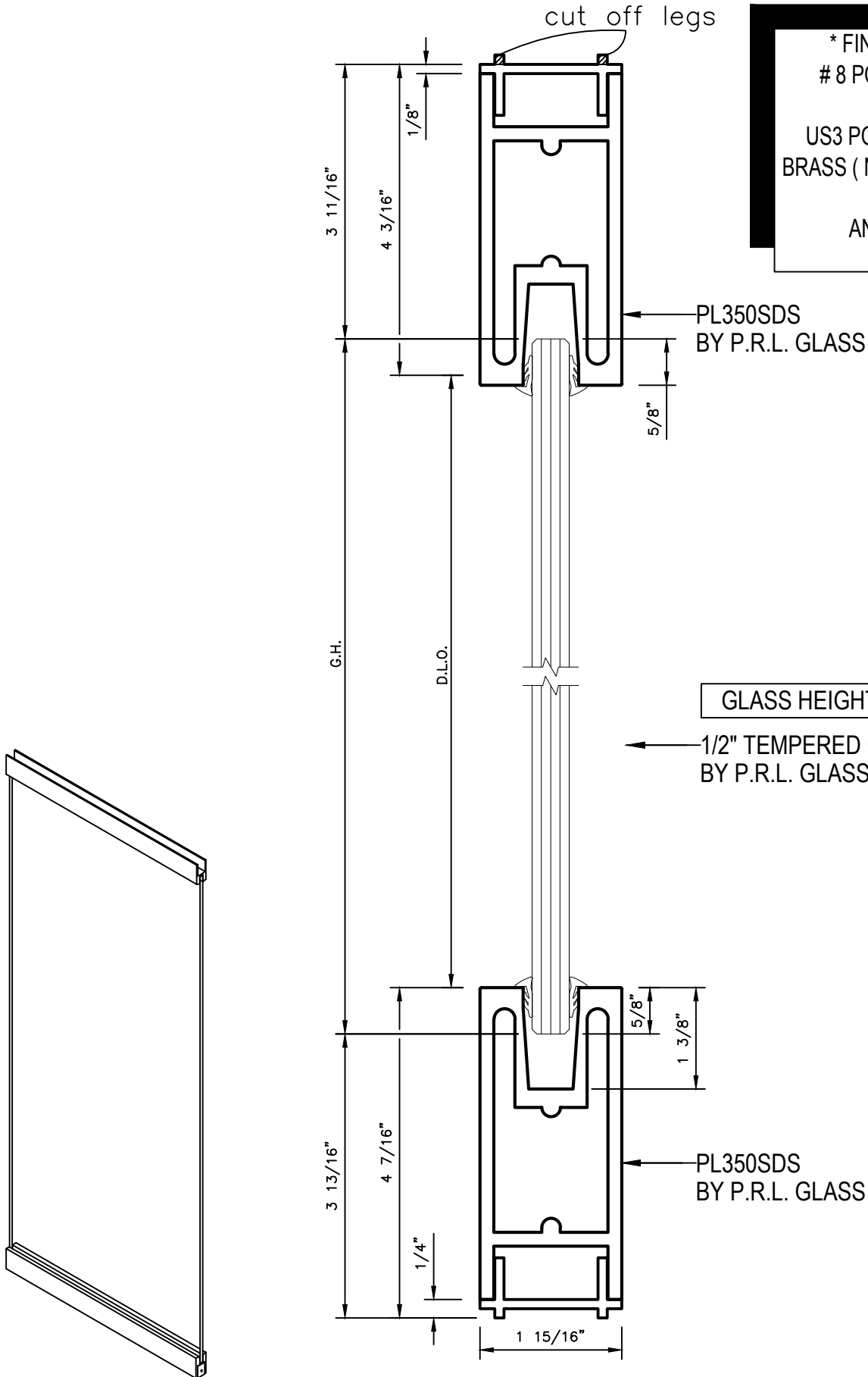
\* FINISHES AVAILABLE :  
# 8 POLISHED & # 4 SATIN  
STAINLESS  
US3 POLISHED & US4 SATIN  
BRASS ( NON LACQUER COATED)  
US10B  
ANODIZED PAINTED



GLASS HEIGHT = D.L.O + 1-1/4"



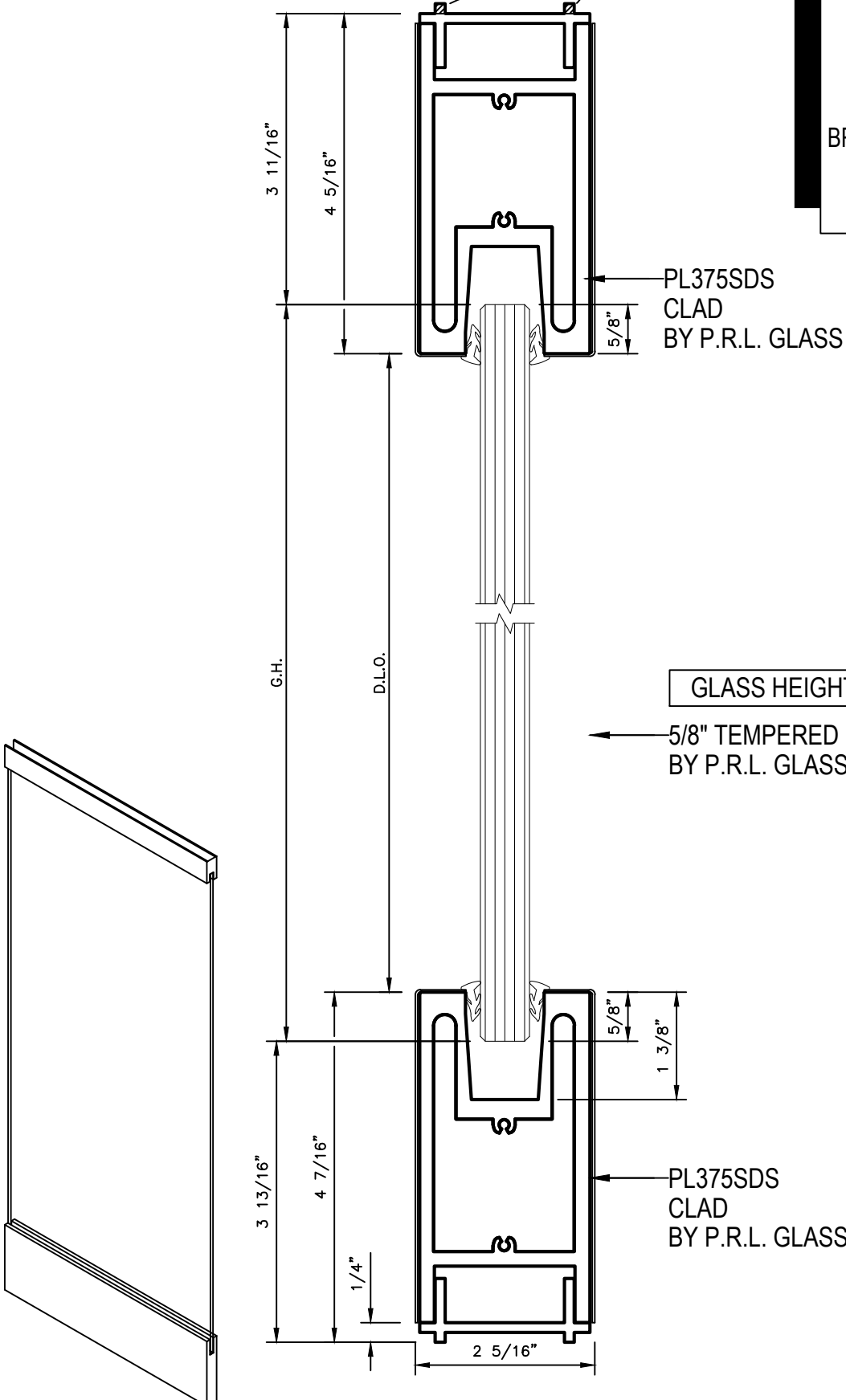
\* FINISHES AVAILABLE :  
# 8 POLISHED & # 4 SATIN  
STAINLESS  
US3 POLISHED & US4 SATIN  
BRASS ( NON LACQUER COATED)  
US10B  
ANODIZED PAINTED





cut off legs

\* FINISHES AVAILABLE :  
# 8 POLISHED & # 4 SATIN  
STAINLESS  
US3 POLISHED & US4 SATIN  
BRASS ( NON LACQUER COATED )  
US10B  
ANODIZED PAINTED



PL375SDS  
CLAD  
BY P.R.L. GLASS

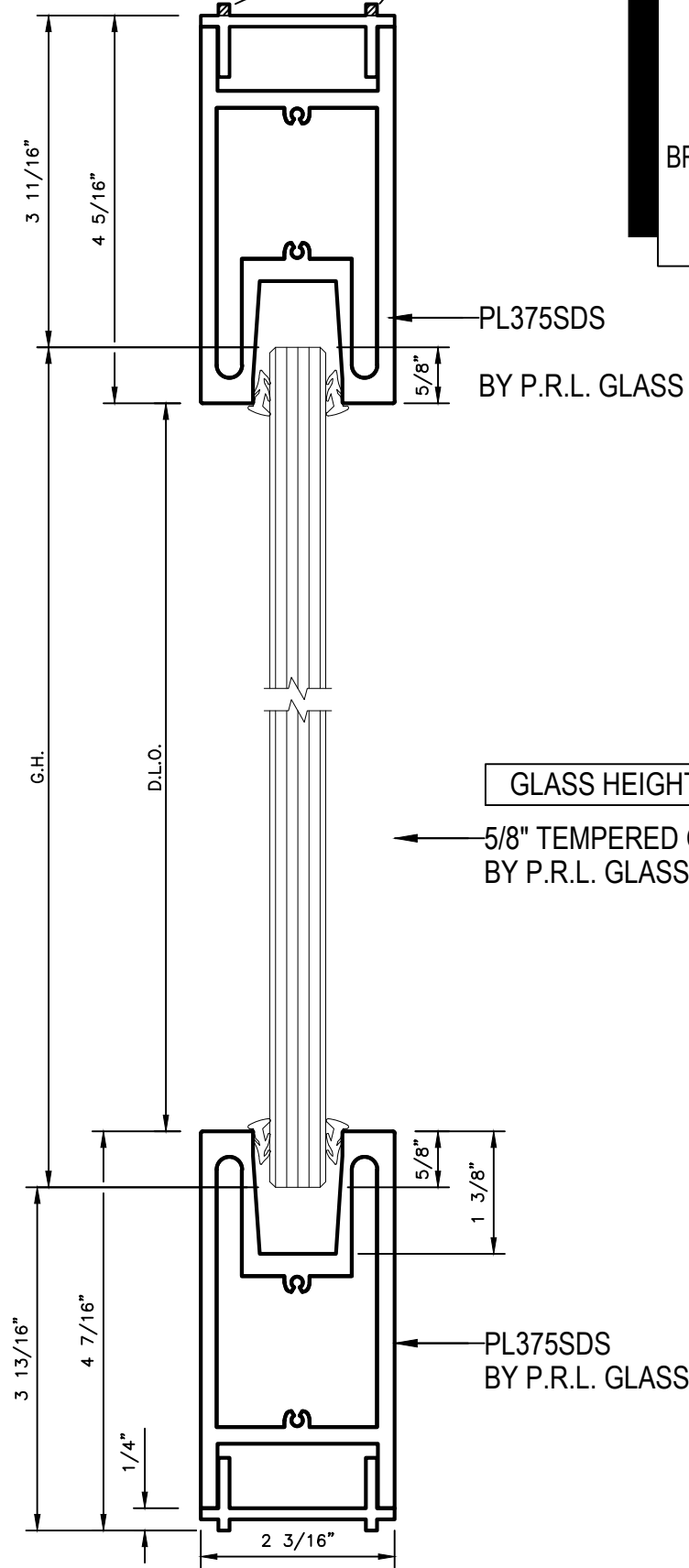
GLASS HEIGHT = D.L.O + 1-1/4"

5/8" TEMPERED GLASS  
BY P.R.L. GLASS

PL375SDS  
CLAD  
BY P.R.L. GLASS



cut off legs

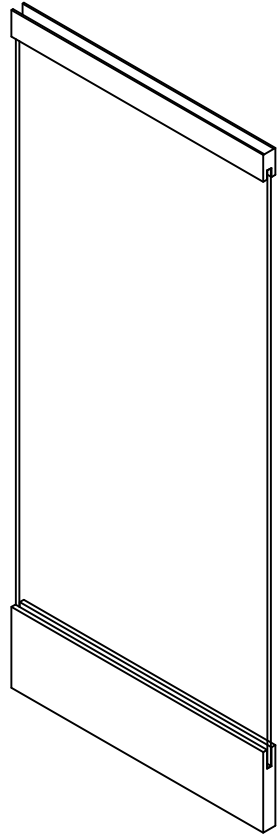


\* FINISHES AVAILABLE :  
# 8 POLISHED & # 4 SATIN  
STAINLESS  
US3 POLISHED & US4 SATIN  
BRASS ( NON LACQUER COATED )  
US10B  
ANODIZED PAINTED

$\text{GLASS HEIGHT} = \text{D.L.O.} + 1 - 1/4"$

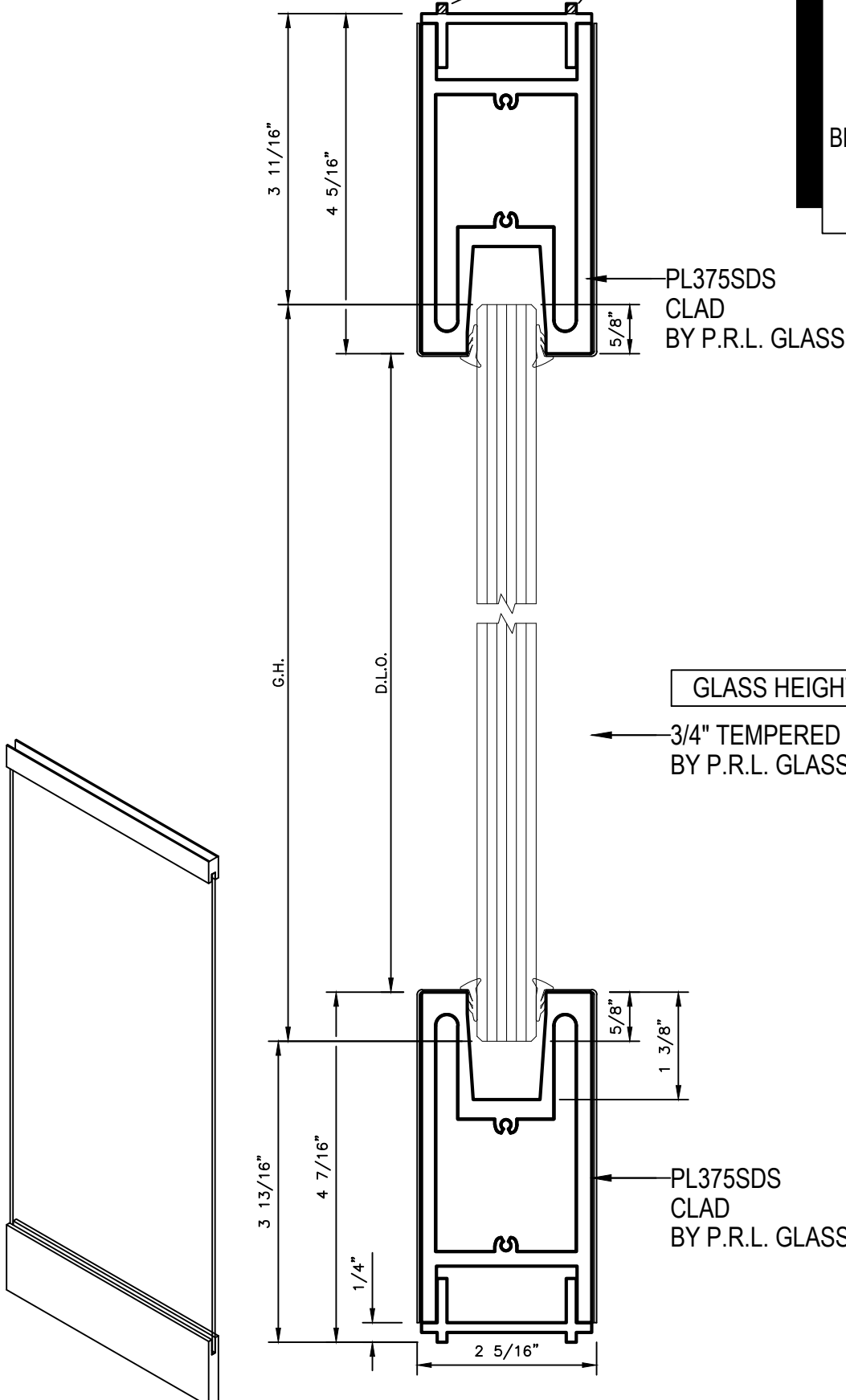
5/8" TEMPERED GLASS  
BY P.R.L. GLASS

PL375SDS  
BY P.R.L. GLASS



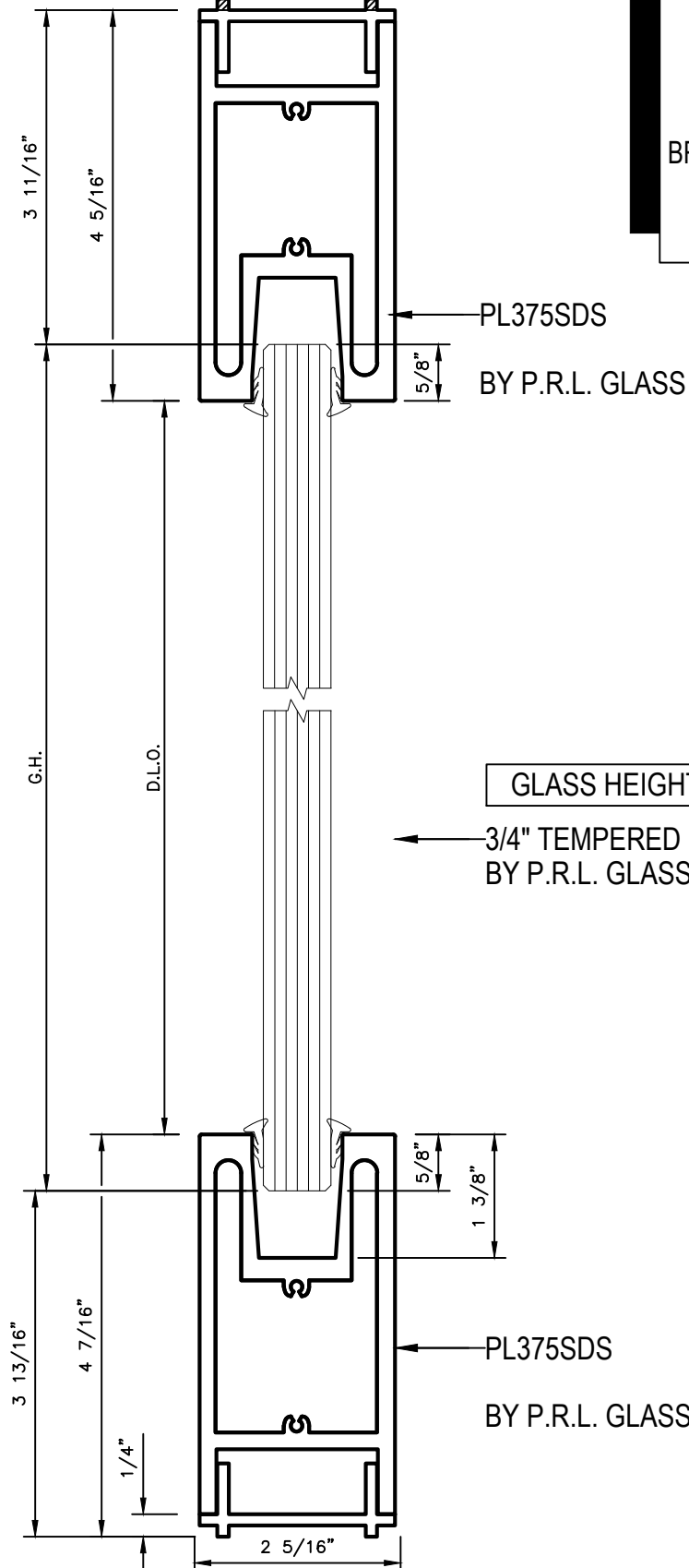
cut off legs

\* FINISHES AVAILABLE :  
# 8 POLISHED & # 4 SATIN  
STAINLESS  
US3 POLISHED & US4 SATIN  
BRASS ( NON LACQUER COATED)  
US10B  
ANODIZED PAINTED





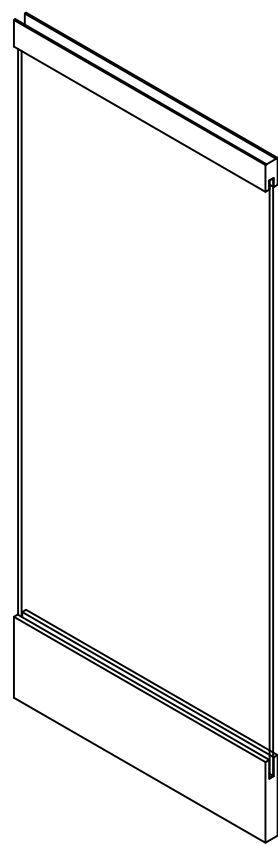
cut off legs



\* FINISHES AVAILABLE :  
# 8 POLISHED & # 4 SATIN  
STAINLESS  
US3 POLISHED & US4 SATIN  
BRASS ( NON LACQUER COATED )  
US10B  
ANODIZED PAINTED

GLASS HEIGHT = D.L.O + 1-1/4"

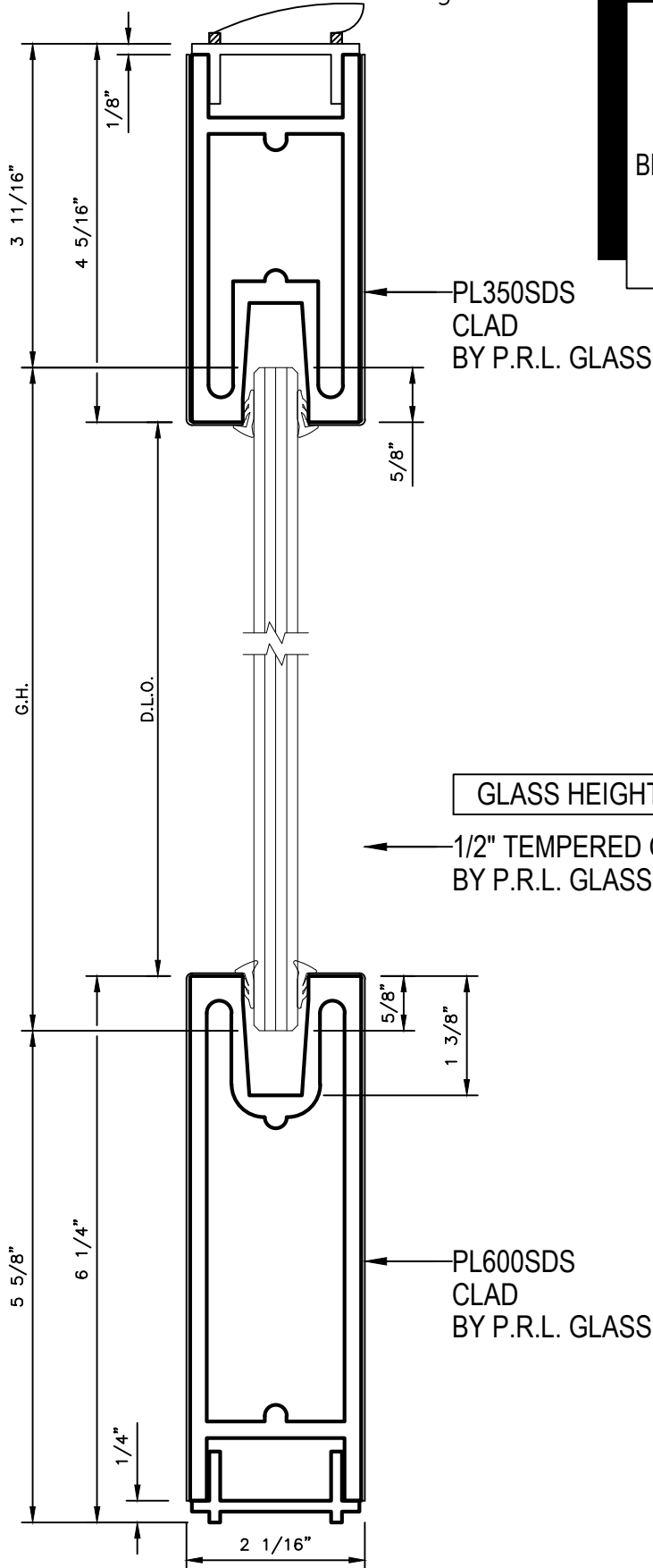
3/4" TEMPERED GLASS  
BY P.R.L. GLASS



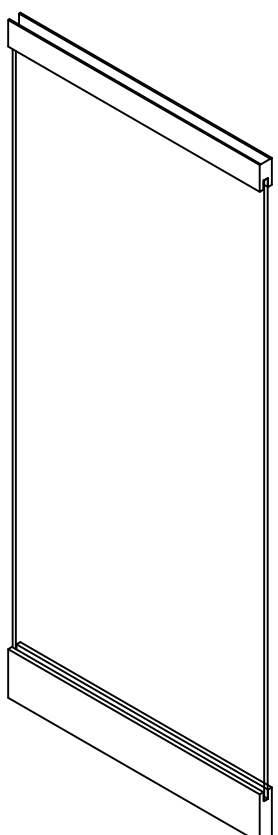


cut off legs

\* FINISHES AVAILABLE :  
# 8 POLISHED & # 4 SATIN  
STAINLESS  
US3 POLISHED & US4 SATIN  
BRASS ( NON LACQUER COATED)  
US10B  
ANODIZED PAINTED



GLASS HEIGHT = D.L.O + 1-1/4"



# PRL

GLASS  
SYSTEMS  
INC.  
Prlglass.com

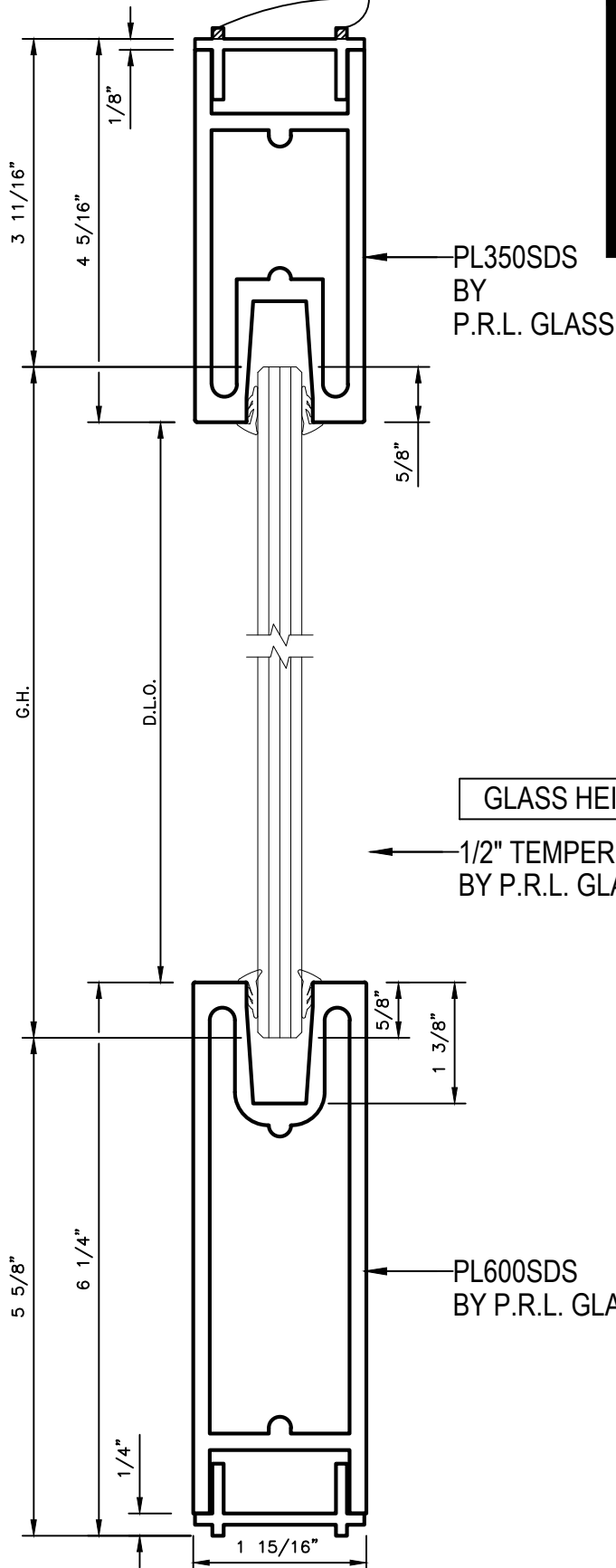


## PL600SDS SIDELITE RAIL NON CLAD

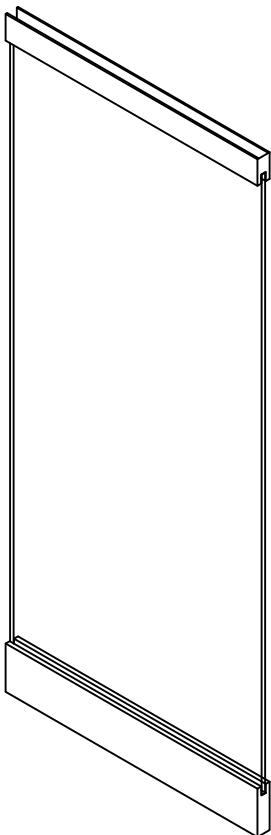
DWG NO.: DRYSETSIDELITERAILS

DATE: 04-19-21

cut off legs



\* FINISHES AVAILABLE :  
# 8 POLISHED & # 4 SATIN  
STAINLESS  
US3 POLISHED & US4 SATIN  
BRASS ( NON LACQUER COATED)  
US10B  
ANODIZED PAINTED



**PRL**

GLASS  
SYSTEMS  
INC.  
Prlglass.com

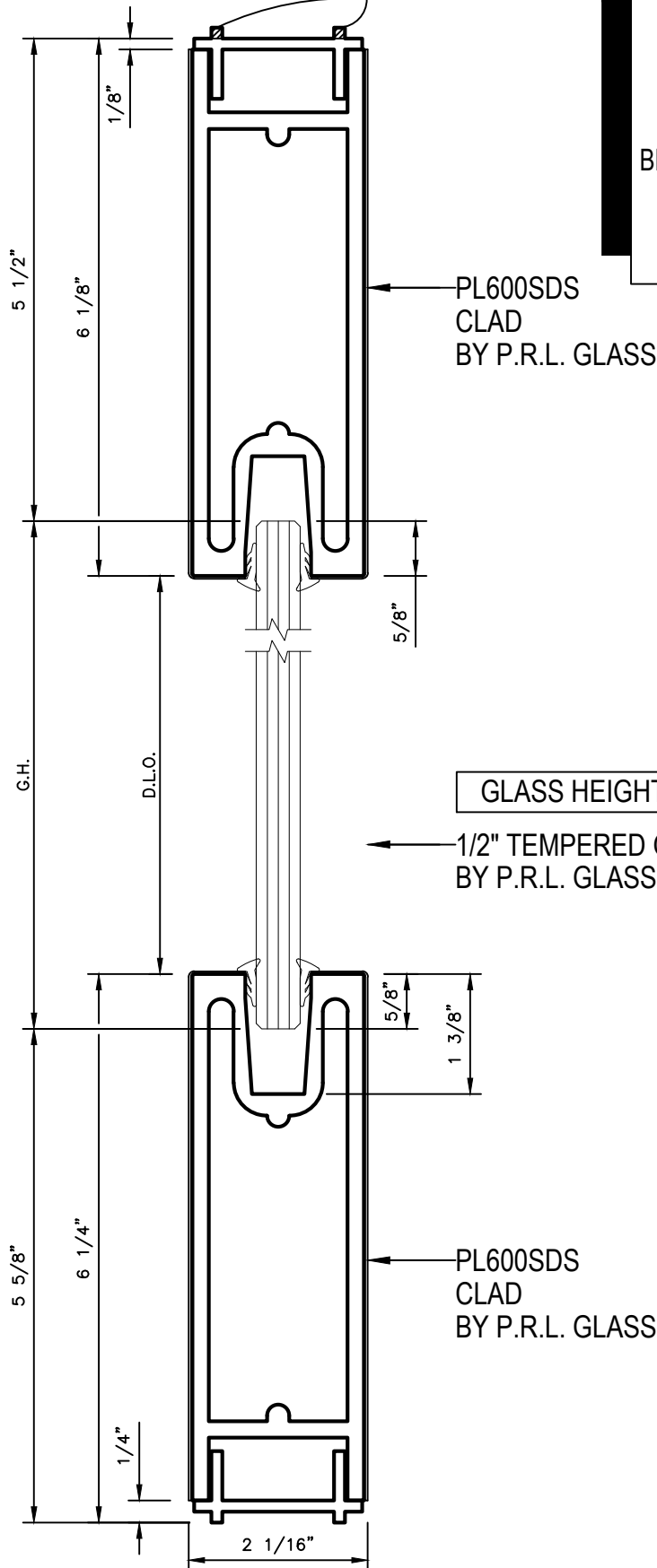


# PL600SDS SIDELITE RAIL

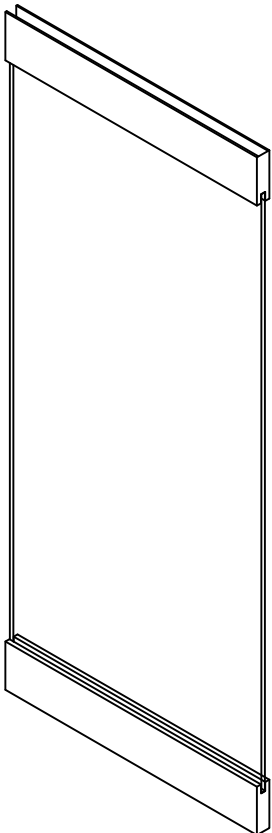
DWG NO.: DRYSETSIDELITERAILS

DATE: 04-19-21

cut off legs



\* FINISHES AVAILABLE :  
# 8 POLISHED & # 4 SATIN  
STAINLESS  
US3 POLISHED & US4 SATIN  
BRASS ( NON LACQUER COATED )  
US10B  
ANODIZED PAINTED

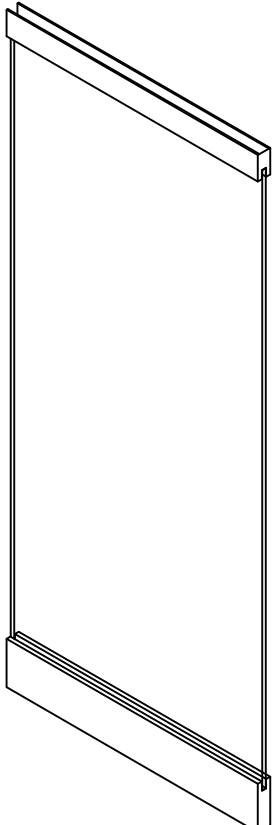
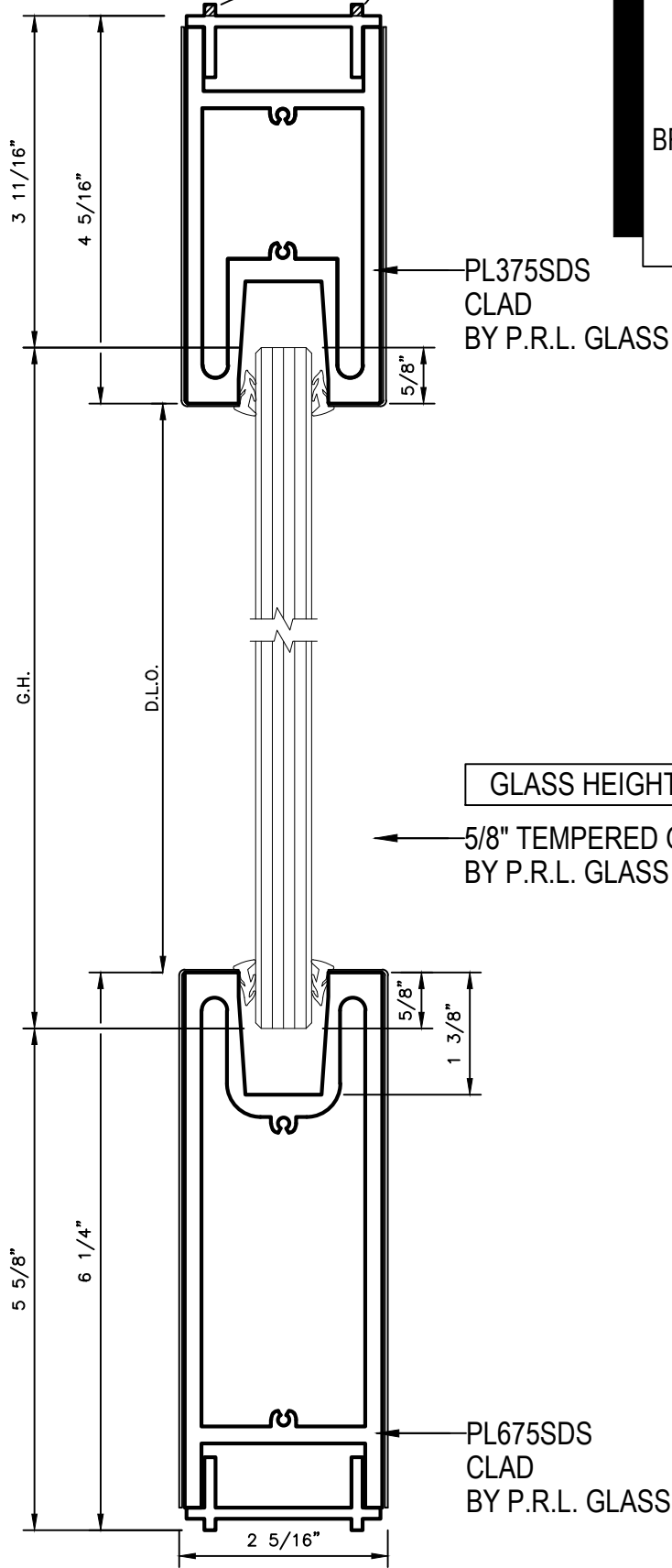






cut off legs

\* FINISHES AVAILABLE :  
# 8 POLISHED & # 4 SATIN  
STAINLESS  
US3 POLISHED & US4 SATIN  
BRASS ( NON LACQUER COATED)  
US10B  
ANODIZED PAINTED



# PRL

GLASS  
SYSTEMS  
INC.

Priglass.com

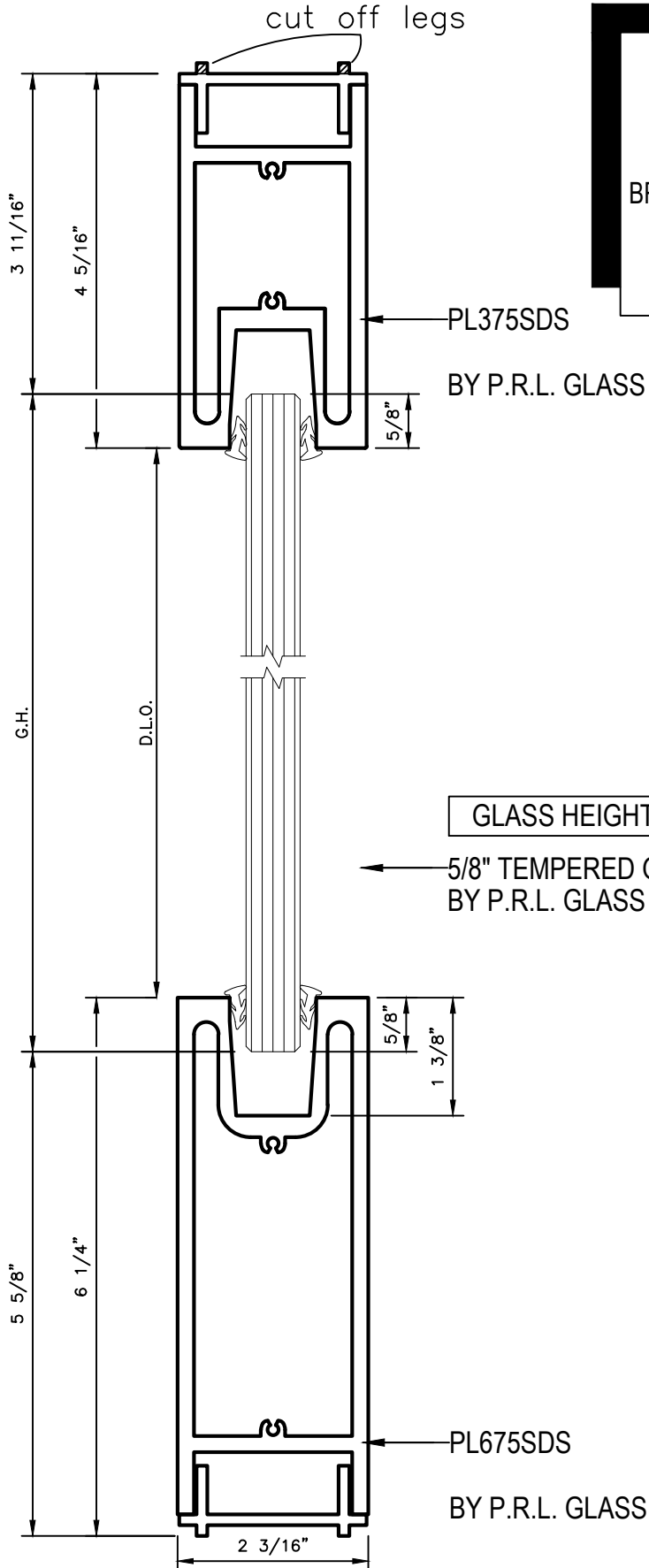
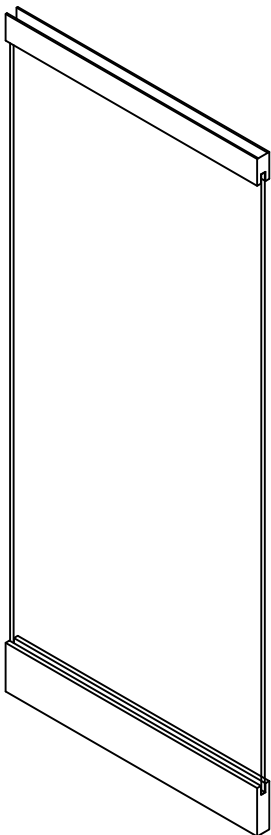


## PL675SDS SIDELITE RAIL NON CLAD

DWG NO.: DRYSETSIDELITERAILS

DATE: 04-19-21

\* FINISHES AVAILABLE :  
# 8 POLISHED & # 4 SATIN  
STAINLESS  
US3 POLISHED & US4 SATIN  
BRASS ( NON LACQUER COATED )  
US10B  
ANODIZED PAINTED



**PRL**

GLASS  
SYSTEMS  
INC.  
Priglass.com

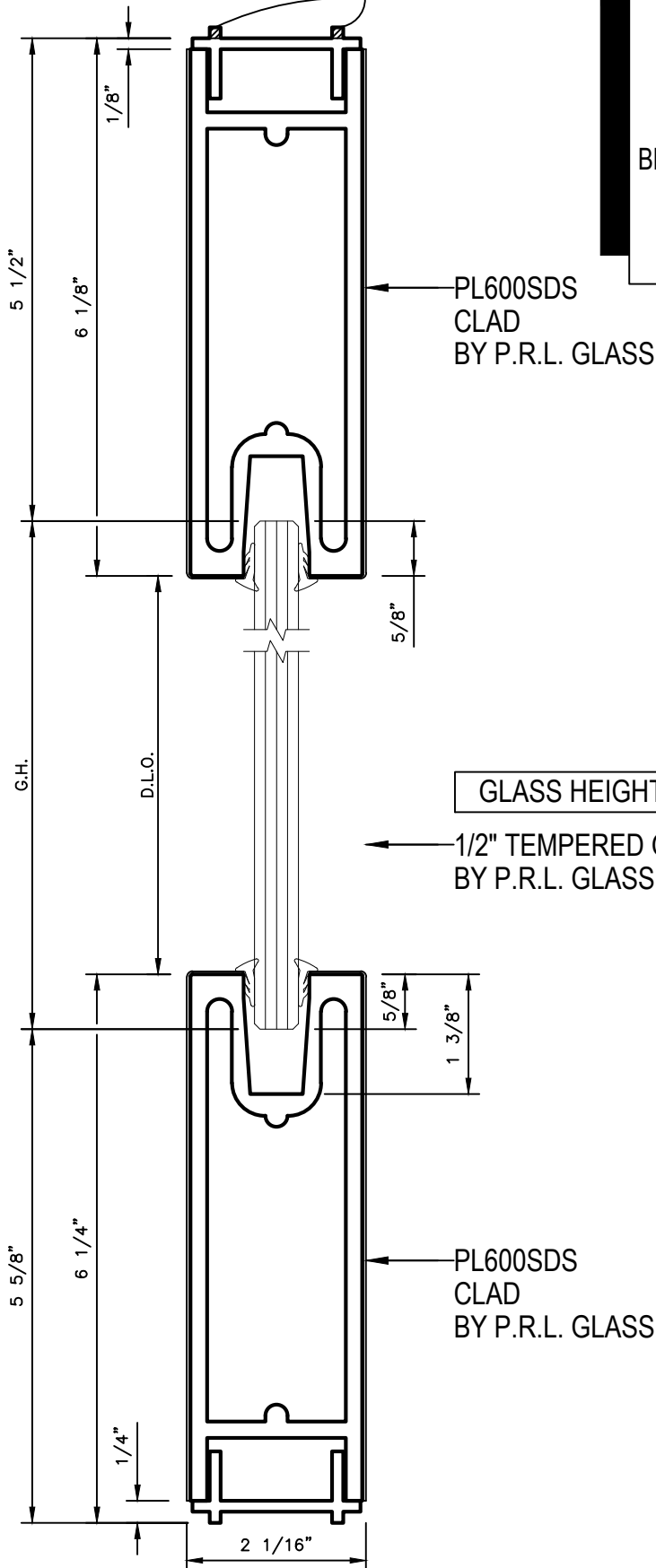


# PL600SDS SIDELITE RAIL

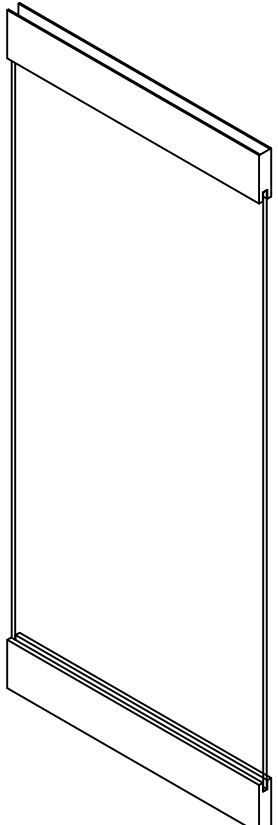
DWG NO.: DRYSETSIDELITERAILS

DATE: 04-19-21

cut off legs



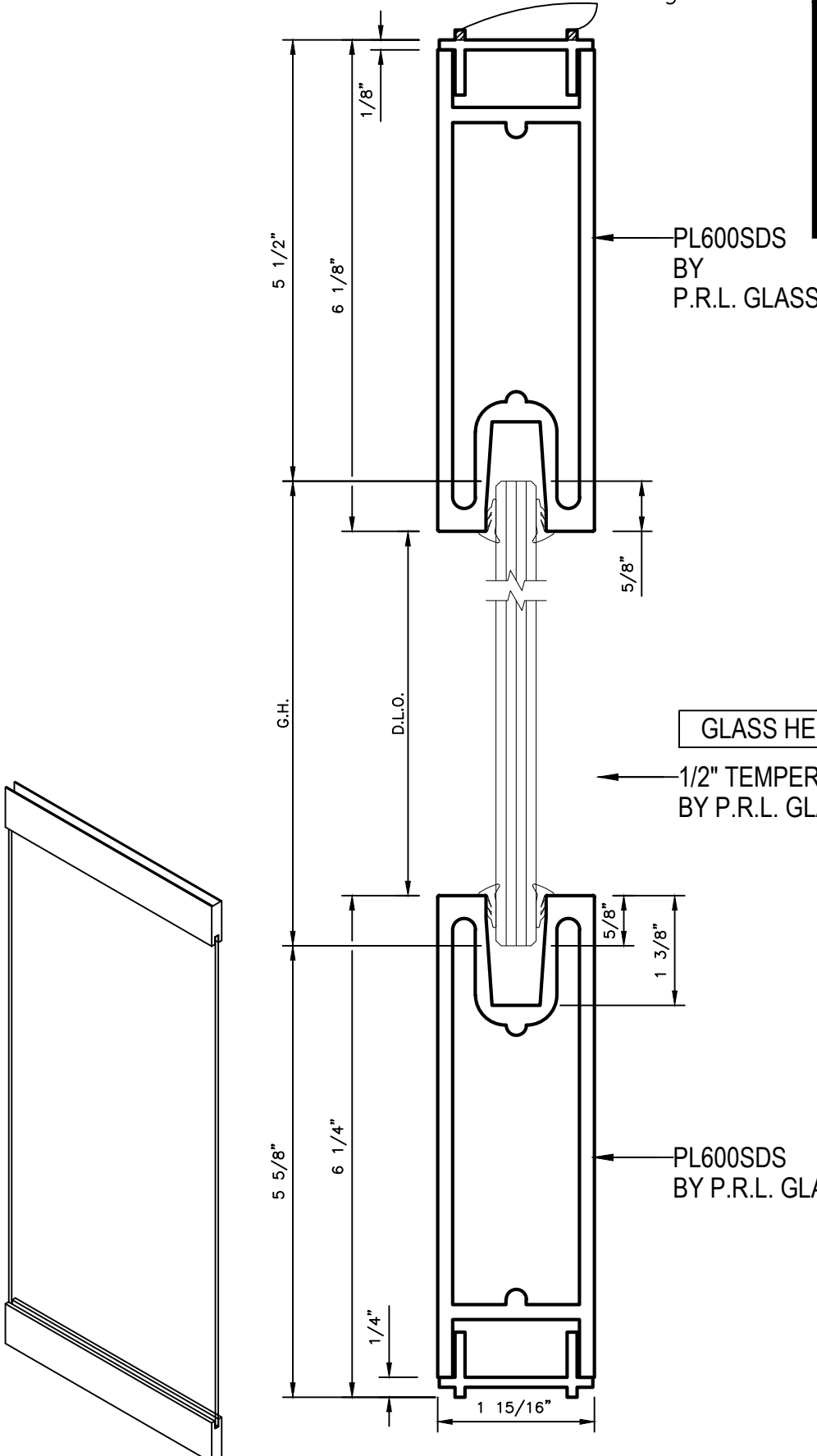
\* FINISHES AVAILABLE :  
# 8 POLISHED & # 4 SATIN  
STAINLESS  
US3 POLISHED & US4 SATIN  
BRASS ( NON LACQUER COATED )  
US10B  
ANODIZED PAINTED





cut off legs

\* FINISHES AVAILABLE :  
# 8 POLISHED & # 4 SATIN  
STAINLESS  
US3 POLISHED & US4 SATIN  
BRASS ( NON LACQUER COATED)  
US10B  
ANODIZED PAINTED







**PRL**

GLASS  
SYSTEMS  
INC.

Prlglass.com

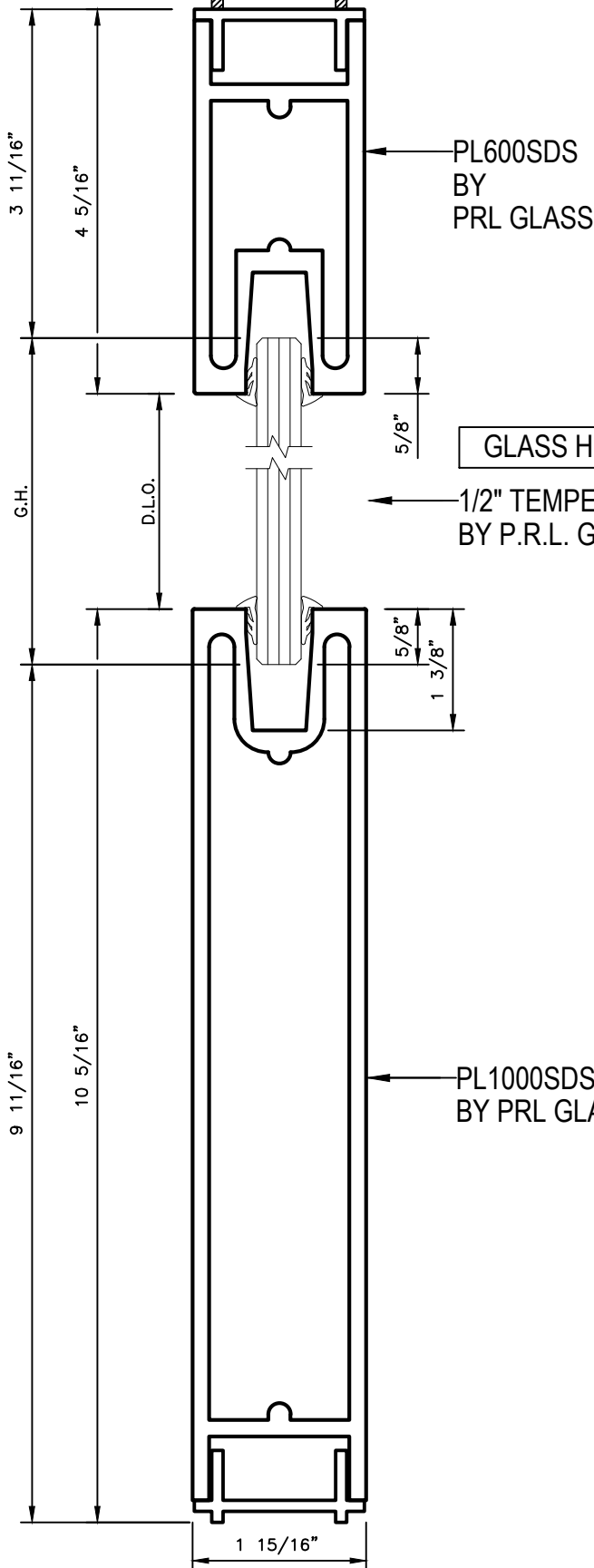


# PL1000SDS SIDELITE RAIL NON CLAD

DWG NO.: DRYSETSIDELITERAILS

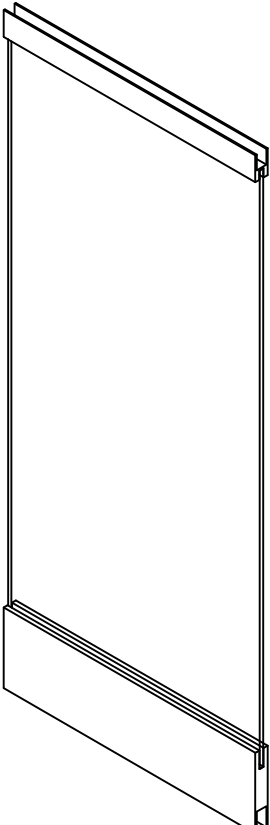
DATE: 04-19-21

cut off legs



\* FINISHES AVAILABLE :  
# 8 POLISHED & # 4 SATIN  
STAINLESS  
US3 POLISHED & US4 SATIN  
BRASS ( NON LACQUER COATED)  
US10B  
ANODIZED PAINTED

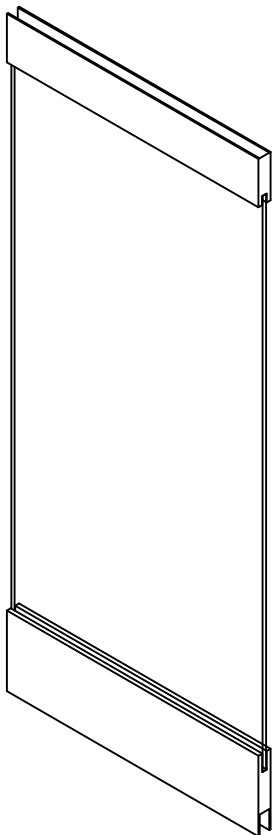
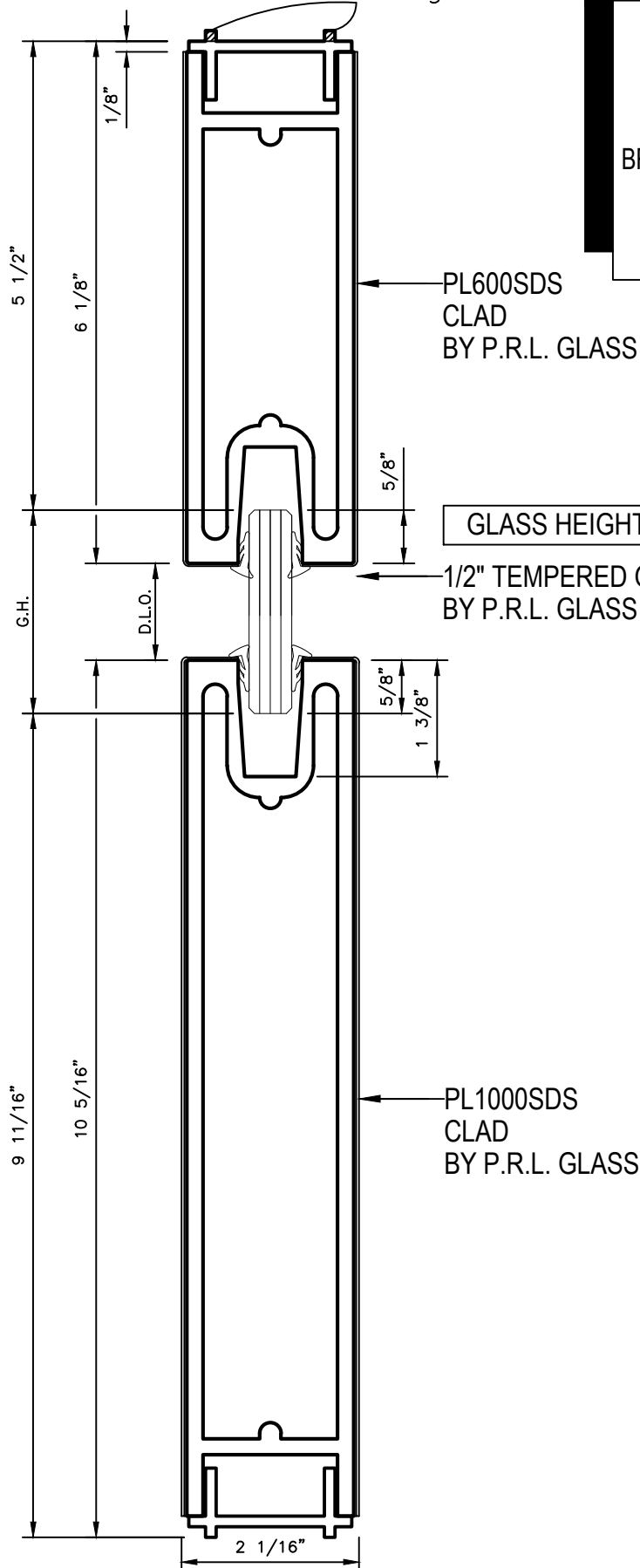
GLASS HEIGHT = D.L.O + 1-1/4"





cut off legs

\* FINISHES AVAILABLE :  
# 8 POLISHED & # 4 SATIN  
STAINLESS  
US3 POLISHED & US4 SATIN  
BRASS ( NON LACQUER COATED )  
US10B  
ANODIZED PAINTED



**PRL**

GLASS  
SYSTEMS  
INC.  
Priglass.com



# PL1000SDS

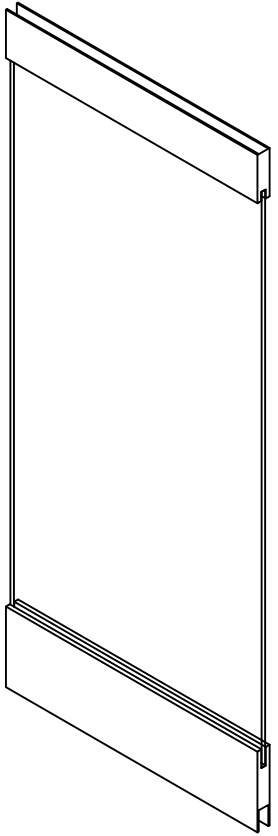
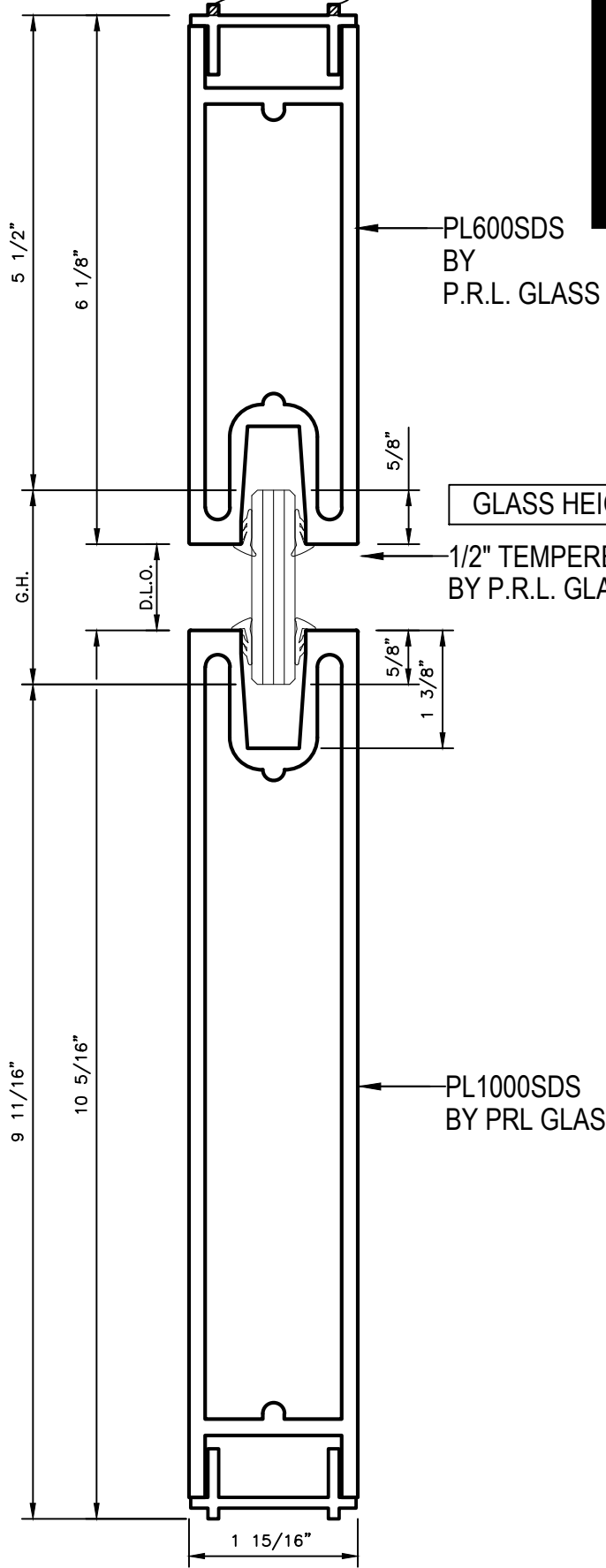
SIDELITE RAIL NON CLAD

DWG NO.: DRYSETSIDELITERAILS

DATE: 04-19-21

cut off legs

\* FINISHES AVAILABLE :  
# 8 POLISHED & # 4 SATIN  
STAINLESS  
US3 POLISHED & US4 SATIN  
BRASS ( NON LACQUER COATED )  
US10B  
ANODIZED PAINTED



GLASS HEIGHT = D.L.O + 1-1/4"

PL600SDS  
BY  
P.R.L. GLASS

1/2" TEMPERED GLASS  
BY P.R.L. GLASS

PL1000SDS  
BY PRL GLASS

5 1/2"

6 1/8"

G.H.

D.L.O.

5/8"

5/8"

1 3/8"

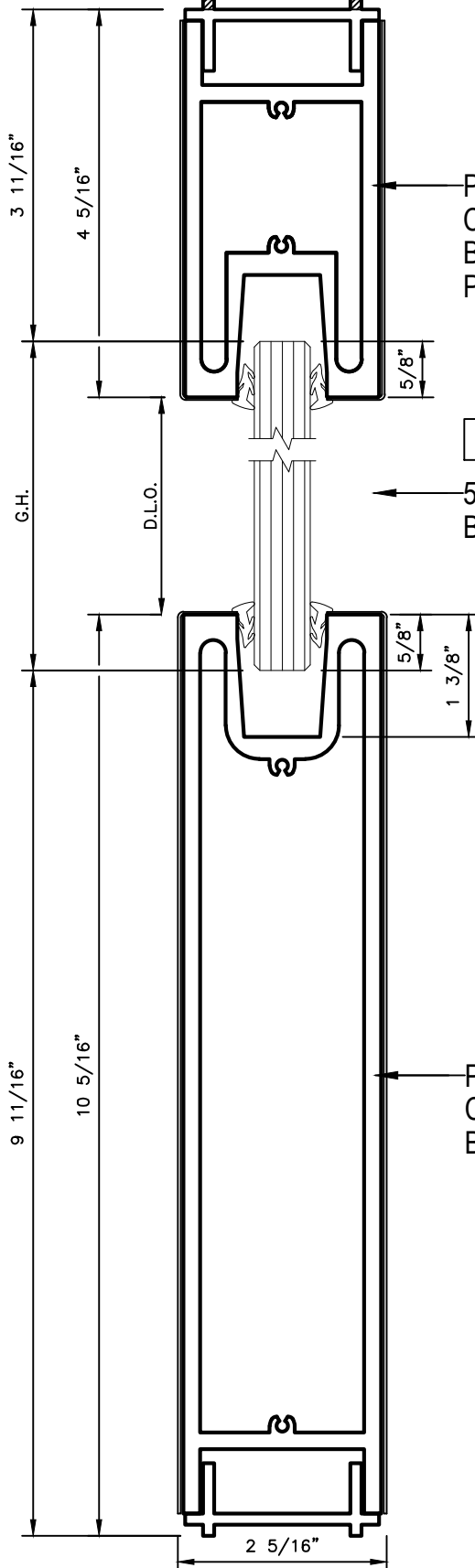
9 11/16"

10 5/16"

1 15/16"



cut off legs



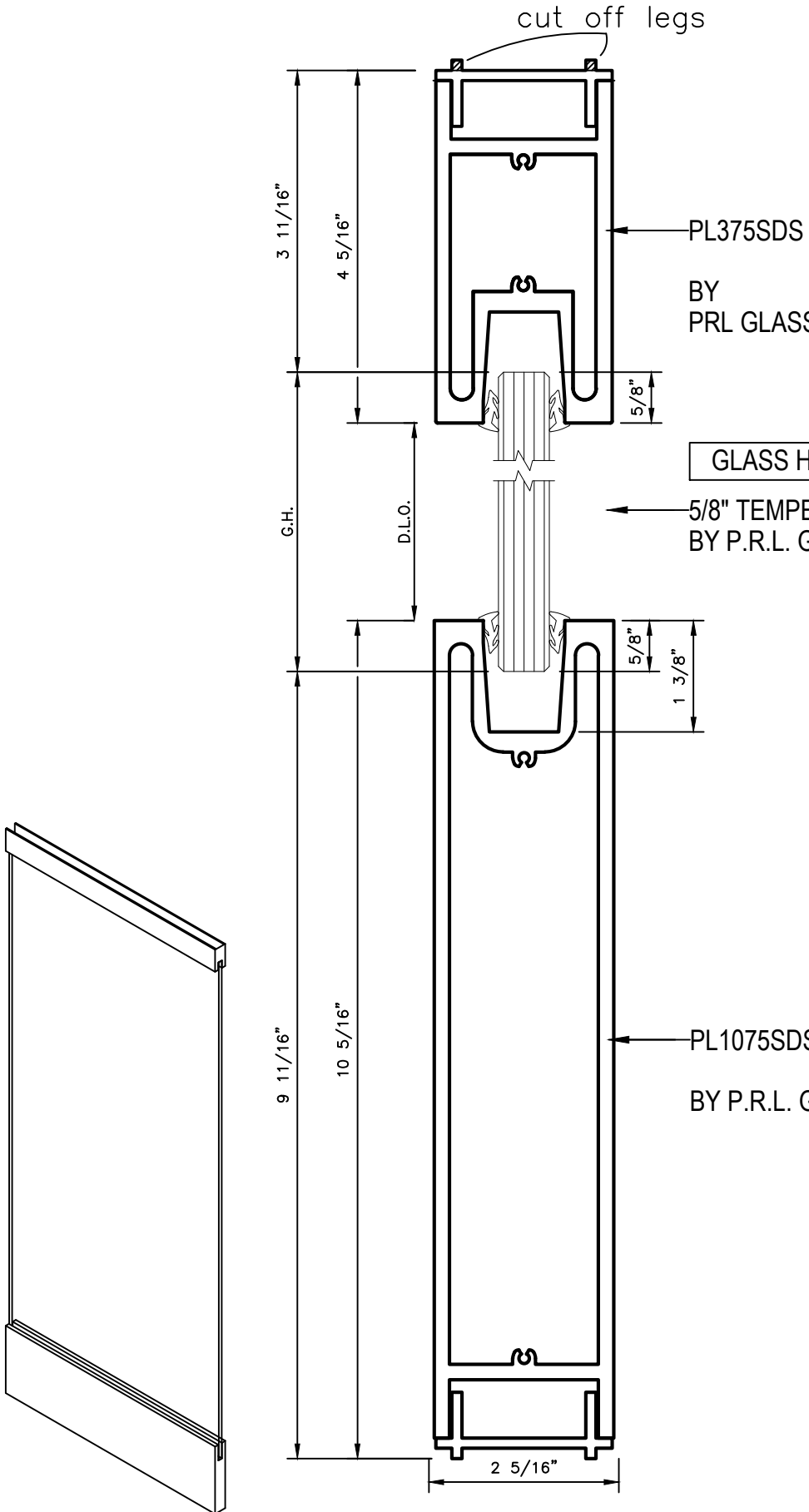
PL375SDS  
CLAD  
BY  
PRL GLASS

GLASS HEIGHT = D.L.O + 1-1/4"

5/8" TEMPERED GLASS  
BY P.R.L. GLASS

PL1075SDS  
CLAD  
BY P.R.L. GLASS

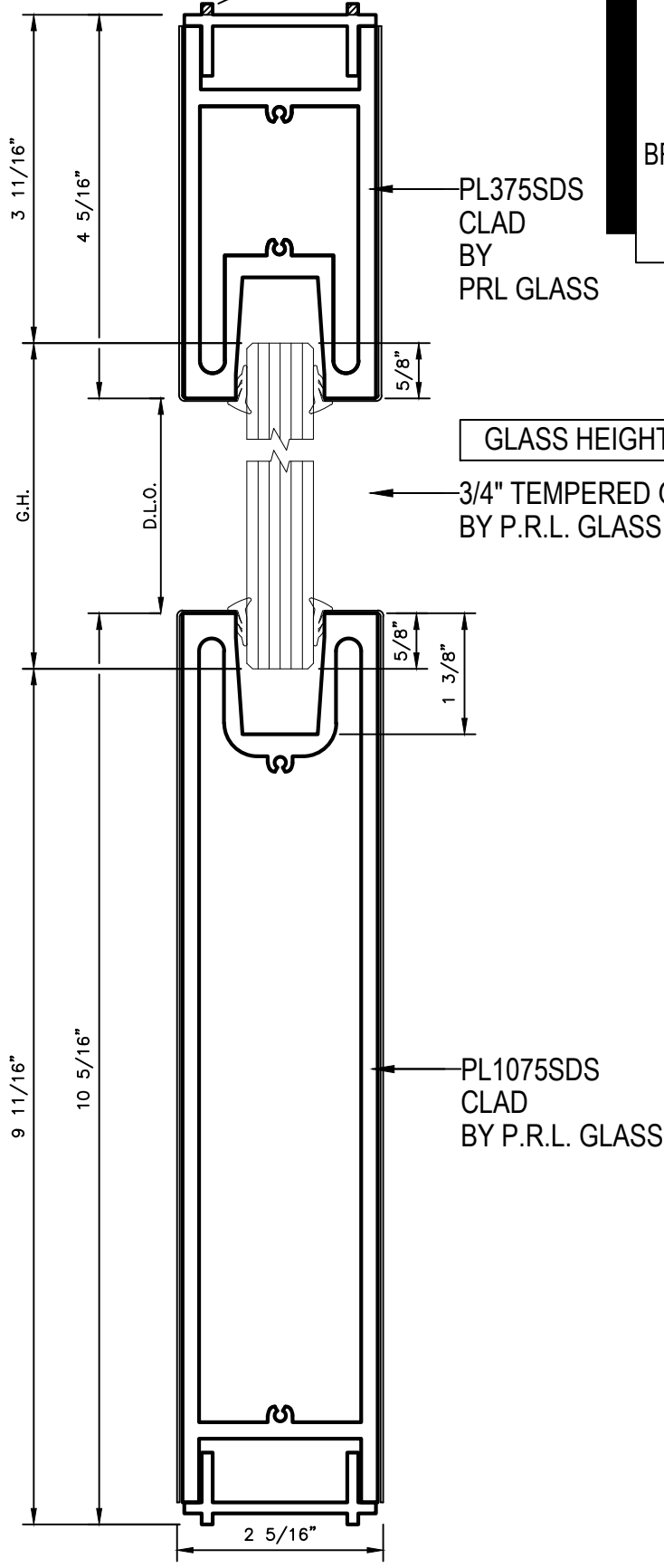
\* FINISHES AVAILABLE :  
# 8 POLISHED & # 4 SATIN  
STAINLESS  
US3 POLISHED & US4 SATIN  
BRASS ( NON LACQUER COATED)  
US10B  
ANODIZED PAINTED



\* FINISHES AVAILABLE :  
# 8 POLISHED & # 4 SATIN  
STAINLESS  
US3 POLISHED & US4 SATIN  
BRASS ( NON LACQUER COATED)  
US10B  
ANODIZED PAINTED

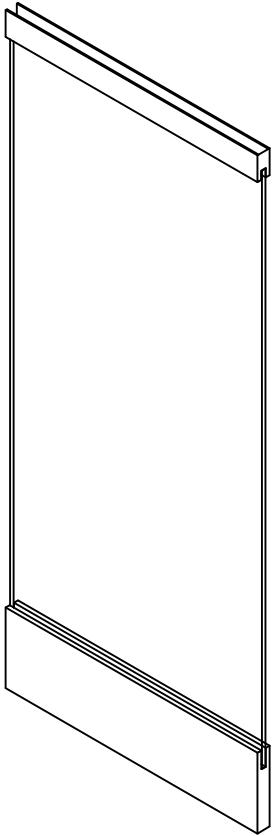


cut off legs



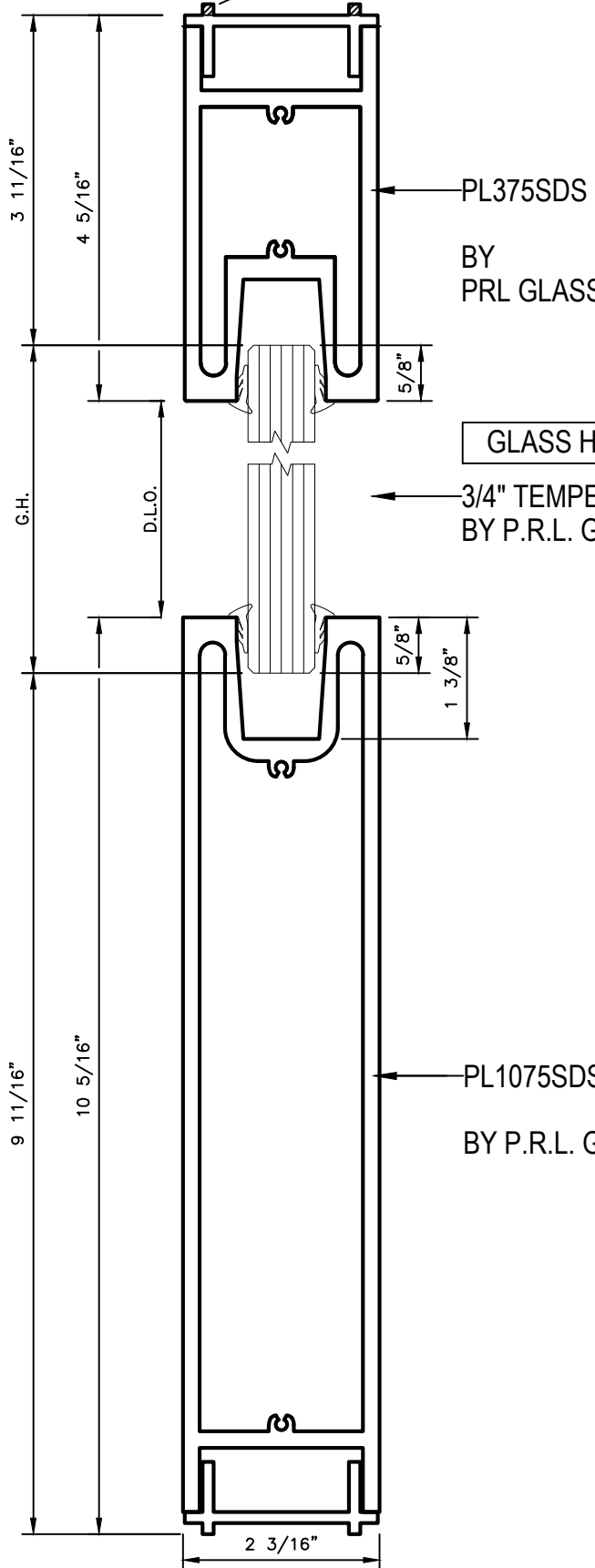
\* FINISHES AVAILABLE :  
# 8 POLISHED & # 4 SATIN  
STAINLESS  
US3 POLISHED & US4 SATIN  
BRASS ( NON LACQUER COATED)  
US10B  
ANODIZED PAINTED

GLASS HEIGHT = D.L.O + 1-1/4"

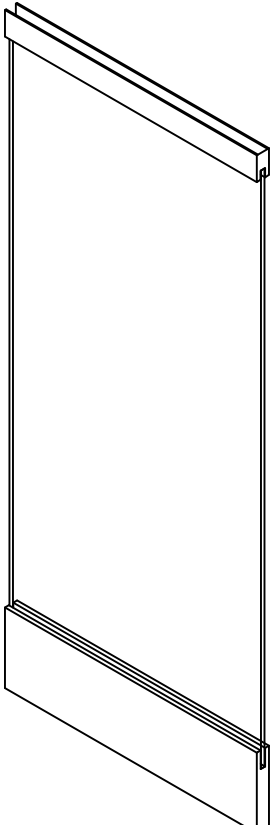




cut off legs



\* FINISHES AVAILABLE :  
# 8 POLISHED & # 4 SATIN  
STAINLESS  
US3 POLISHED & US4 SATIN  
BRASS ( NON LACQUER COATED)  
US10B  
ANODIZED PAINTED



9 11/16"

10 5/16"

2 3/16"

GLASS HEIGHT = D.L.O + 1-1/4"

PL375SDS  
BY  
PRL GLASS

3/4" TEMPERED GLASS  
BY P.R.L. GLASS

PL1075SDS  
BY P.R.L. GLASS

3 11/16"

4 5/16"

G.H.

D.L.O.

5/8"

5/8"

1 3/8"